

# REACTION TORQUE CELLS

## FLANGE-TO-FLANGE MOUNT

### STANDARD AND METRIC MODELS

## TQ300/TQM300 Series

Reaction Torque  
**400 in-lb to 2000 in-lb**  
**45 N-m to 225 N-m**

1 N-m = 0.7375 ft-lb  
 1 ft-lb = 1.356 N-m  
 1 N-m = 8.85 in-lb  
 1 ft-lb = 12 in-lb

Starts at  
**\$475**



**STANDARD**  
 TQ302-2K, \$1525,  
 shown much  
 smaller than  
 actual size.



**METRIC**  
 TQM301-45, \$475,  
 shown actual size.



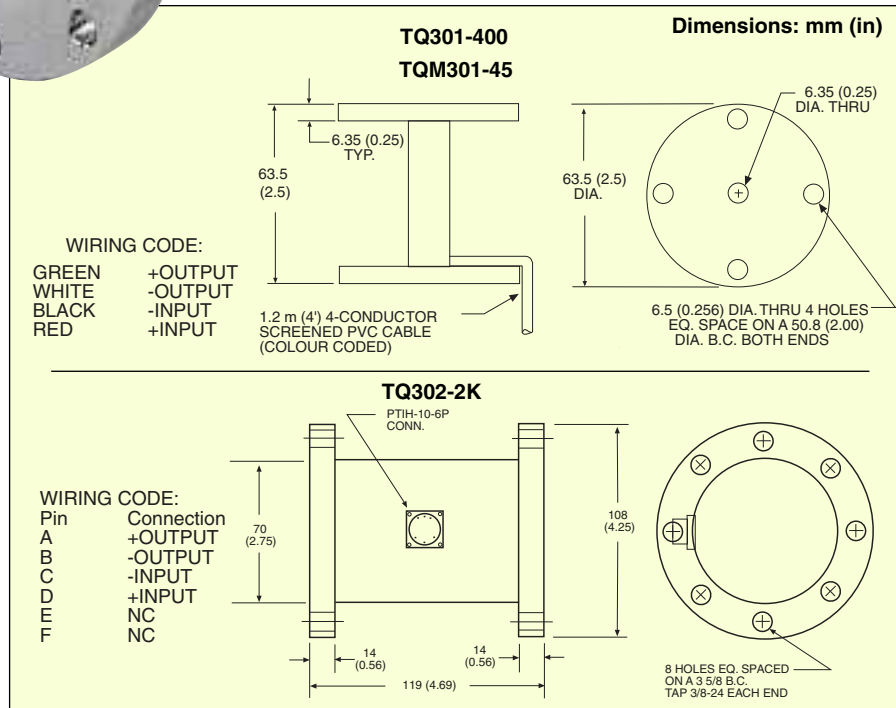
- ✓ All Stainless Steel Case for Long-Term Reliability in Industrial Environments
- ✓ High Accuracy
- ✓ Heavy-Duty Mounting for Positive, Non-Slip Connection

### SPECIFICATIONS

**Output:** 2 mV/V  
**Excitation:** 10 Vdc, 15V max  
**Input Resistance:** 360 Ω min  
**Output Resistance:** 350 ± 5 Ω  
**Accuracy Class:** ±0.2% FSO  
**Linearity, Hysteresis and Repeatability:** ±0.2% FSO combined  
**Zero Balance:** ±2% FSO  
**Compensated Temp Range:** 16 to 71°C (60 to 160°F)  
**Operating Temp Range:** -54 to 107°C (-65 to 225°F)  
**Thermal Effects:**  
 Zero: ±0.005% FSO/°F  
 Span: ±0.005% rdg/°F

**Safe Overload:** 150% of capacity  
**Ultimate Overload:** 300% of capacity  
**Construction:** Stainless steel  
**Electrical:**

**TQ301:** 1.2 m (4') 4-conductor, shielded, color-coded PVC cable  
**TQ302:** PTIH-10-6P connection; PT06F10-6S mating connector sold separately



**AVAILABLE FOR FAST DELIVERY!**

To Order (Specify Model Number)			
RANGE	MODEL NO.	PRICE	COMPATIBLE METERS*
<b>STANDARD MODELS</b>			
0 to 400 in-lb	TQ301-400	\$475	DP41-S, DP25B-S
0 to 2000 in-lb	TQ302-2K	1525	DP41-S, DP25B-S
<b>METRIC MODEL</b>			
0 to 45 N-m	TQM301-45	\$475	DP41-S, DP25B-S

### ACCESSORY

MODEL NO.	PRICE	DESCRIPTION
PT06F10-6S	\$26.50	Mating connector for TQ302-2K torque cell

Comes complete with 5-point calibration.

\* See section D for compatible meters.

**Ordering Example:** TQ301-400, 400 in-lb range reaction torque sensor, \$475.