



**PX79 Series
4-20 mA Output**

**0-1 to 0-10 psi
0-70 mbar to 0-700 mbar**

Notice: OMEGADYNE does not offer a warranty on this product, it's use or application. It is the end user's responsibility to assure proper installation and use of this transducer.

- ☑ All Stainless Steel Casing/ Inconel Housing
- ☑ Hermetically Sealed Housing
- ☑ Protective Cap Included
- ☑ 50 ft Vented Cable Standard

The OMEGADYNE™ PX79 Series transmitters are submersible low pressure transducers suitable for liquid level and depth measurement. Their stainless steel housing and Inconel diaphragm makes them suitable for immersion in most industrial fluids. A 50 foot (15.2m) vented cable, longer lengths available, provides an atmospheric reference.

SPECIFICATIONS:

Electrical:
Excitation: 10-40 Vdc
Output: 4-20 mA
Max Loop Resistance: (Input Voltage -10) x 50
Zero Balance: 4 mA ±0.2mA

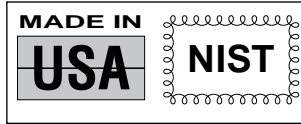
**For Sales and Service
In U.S.A. and Canada**

**1-800-872-3963SM
1-800-USA-DYNE**

**International Customers Dial
(614) 965-9340
24-Hour FAX (614) 965-9438**

OMEGADYNESM FAX
 OMEGADYNE's 24-Hour
 On-Line Publishing Service
**1-800-344-3963SM
1-800-DIG-DYNE**
 Document # 3698

OMEGADYNE, Inc.
 149 Stelzer Court, Sunbury, OH 43074
<http://www.omegadyne.com>
 e-mail: info@omegadyne.com



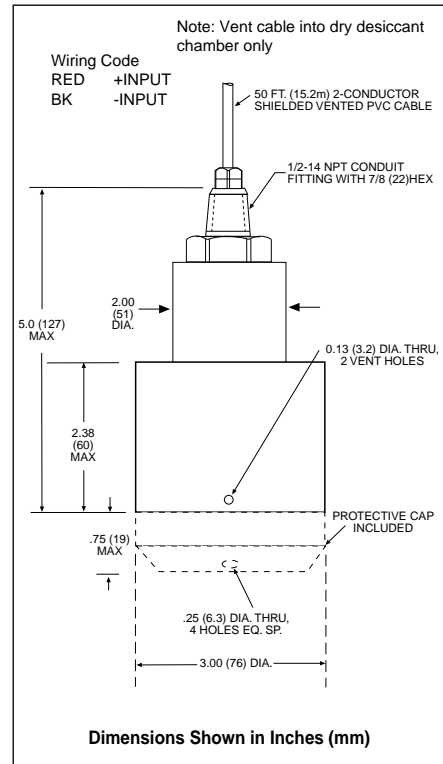
Interchangeable with
Model TH-LVAG-LD

**SPEC SHEET
PX79-I**

LOW PRESSURE SUBMERSIBLE TRANSMITTER For Level and Depth Measurement



\$825
Model PX79U7-001GI
 Shown Smaller than Actual Size



Performance:
Accuracy Class: 0.5% Linearity, Hysteresis, and Repeatability Combined
Environmental:
Operational Temp Range: -34 to 93°C (-30 to 200°F)
Compensated Temp Range: -1 to 54°C (30 to 130°F)
Thermal Effects:
 Span: 0.003% of Rdg/°F
 Zero: 0.0045% of FSO/°F

Pressure:
Ranges (psi): 1, 2, 3, 4, 5, 10
Proof Pressure: 1500 psi
Burst Pressure: 2500 psi
Mechanical:
Wetted Parts: 316 Stainless Steel with 625 Inconel Diaphragm
Pressure Port: Nose protector included
Electrical Connection: 50 ft (15.2m) PVC insulated shielded and vented cable

➔ **Most Popular Models Highlighted** ◀

Prices Shown in U.S. Dollars

To Order: (<i>Specify Model Number</i>) 25 ft (7.6m) Cable Standard				
Range psig	in-H ₂ O	Model Number	Price	Compatible Meters
0-1	28	PX79U7-001GI	\$825	INFP, INFCP, IPD
0-2	55	PX79U7-002GI	825	INFP, INFCP, IPD
0-3	83	PX79U7-003GI	825	INFP, INFCP, IPD
0-4	111	PX79U7-004GI	825	INFP, INFCP, IPD
0-5	138	PX79U7-005GI	825	INFP, INFCP, IPD
0-10	277	PX79U7-010GI	825	INFP, INFCP, IPD

Interchangeable with Model TH-LVAG-LD Metric Ranges Available - Consult Engineering
 To order with extra cable add "-(length in feet)FT" and add \$2.00 per foot over 50 ft (15.2m)

Ordering Examples: 1.) PX79U7-001GI-100FT is a 1 psi transducer with 4-20 mA output and 100 ft vented cable, \$825 + (50 x 2.00) = \$925. 2.) PX79U7-005GI is a 5 psi Gage Pressure transmitter with 4-20 mA output and the standard 50 ft of vented cable, \$825.

