



\$495
Model Shown

PX60U Series
mV/V Output
0-200 to 0-10,000 psi
0-14 to 0-700 bar

1 bar = 14.5 psi
1 kg/cm² = 14.22 psi
1 Atmosphere = 14.7 psi = 29.93 in-Hg = 760.2 mm-Hg = 1.014 bar

- ✔ **Small Size - High Accuracy**
- ✔ **Subminiature Design for Test Benches and Aerospace Applications**
- ✔ **Rugged Stainless Steel Construction**
- ✔ **O-Ring Seal for Hydraulic Applications**

SPECIFICATIONS:

Electrical:
Excitation: 5 Vdc
Output: 2 mV/V
Input Resistance: 350 ohms
Output Resistance: 350 ohms
Insulation Resistance: > 5 MΩ
Performance:
Accuracy Class: 1.0%
Linearity & Hysteresis: ±1.0% Combined

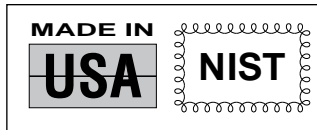
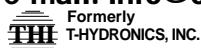
For Sales and Service In U.S.A. and Canada

1-800-872-3963
1-800-USA-DYNE

International Customers Dial
(614) 965-9340
24-Hour FAX (614) 965-9438

OMEGADYNESM FAX
OMEGADYNE's 24-Hour
On-Line Publishing Service
1-800-344-3963
1-800-DIG-DYNE
Document # 3691

OMEGADYNE, Inc.
149 Stelzer Court, Sunbury, OH 43074
<http://www.omegadyne.com>
e-mail: info@omegadyne.com

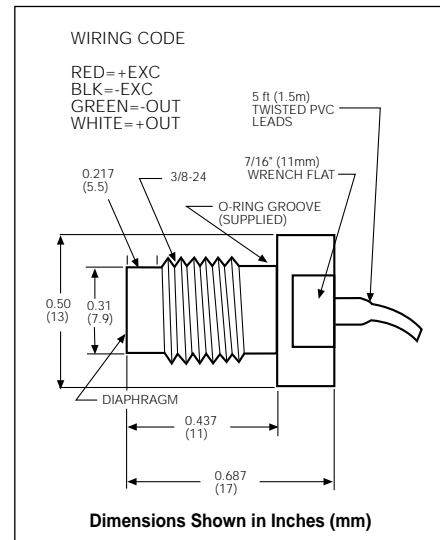


SUBMINIATURE
FLUSH DIAPHRAGM
PRESSURE TRANSDUCER
3/8-24 UNF Pressure Connection



Model PX60U0-200GV \$495
Shown Larger than Actual Size

Repeatability: ±0.1% FSO
Zero Balance: ±3%
Environmental:
Operating Temperature Range: -54 to +150°C (-65 to +300°F)
Compensated Temperature Range: +16 to +71°C (+60 to +160°F)
Thermal Effects:
Zero: ±0.01% FSO/°F
Span: ±0.02% FSO/°F
Pressure:
Proof Pressure: 150% of capacity
Burst Pressure: 400% of capacity
Construction:
Body Material: 17-4 PH Stainless Steel
O-Ring Size: 011
Polyvinyl: 2-011-P \$15/10 pack
Viton®: 2-011-V \$10/10 pack
Electrical Connections:
5 ft (1.5m) 4-conductor twisted PVC leads
Weight: 0.5 oz (14g)



➔ **Most Popular Models Highlighted** ◀

Prices Shown in U.S. Dollars

To Order: (Specify Model Number)			
Range (psig)	Model Number	Price	Compatible Meters
0-200	PX60U0-200GV	\$495	INFS*, INFCS*
0-500	PX60U0-500GV	495	INFS*, INFCS*
0-1,000	PX60U0-1KGV	495	INFS*, INFCS*
0-2,000	PX60U0-2KGV	495	INFS*, INFCS*
0-3,000	PX60U0-3KGV	495	INFS*, INFCS*
0-5,000	PX60U0-5KGV	495	INFS*, INFCS*
0-10,000	PX60U0-10KGV	495	INFS*, INFCS*

* Meter Excitation Voltage requires field adjustment by customer to 5 Vdc.

Metric Ranges Available - Consult Engineering

Ordering Examples: 1.) PX60U0-200GV is a 200 psi Gage Pressure transducer, \$495.
2.) PX60U0-3KGV is a 3,000 psi Gage Pressure transducer, \$495.

