

HIGH-PRESSURE FLUSH DIAPHRAGM TRANSMITTER

STANDARD OR METRIC MODELS

PX44/PXM44 Series

4 to 20 mA Output

0-500 to 0-5000 psi-Standard Models

0-40 to 0-350 bar-Metric Models

1 bar = 14.5 psi

1 kg/cm² = 14.22 psi

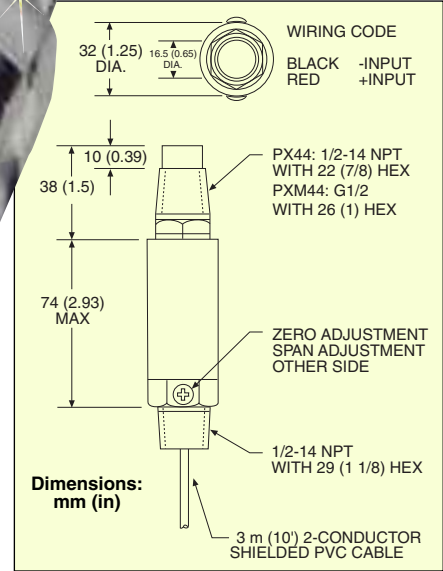
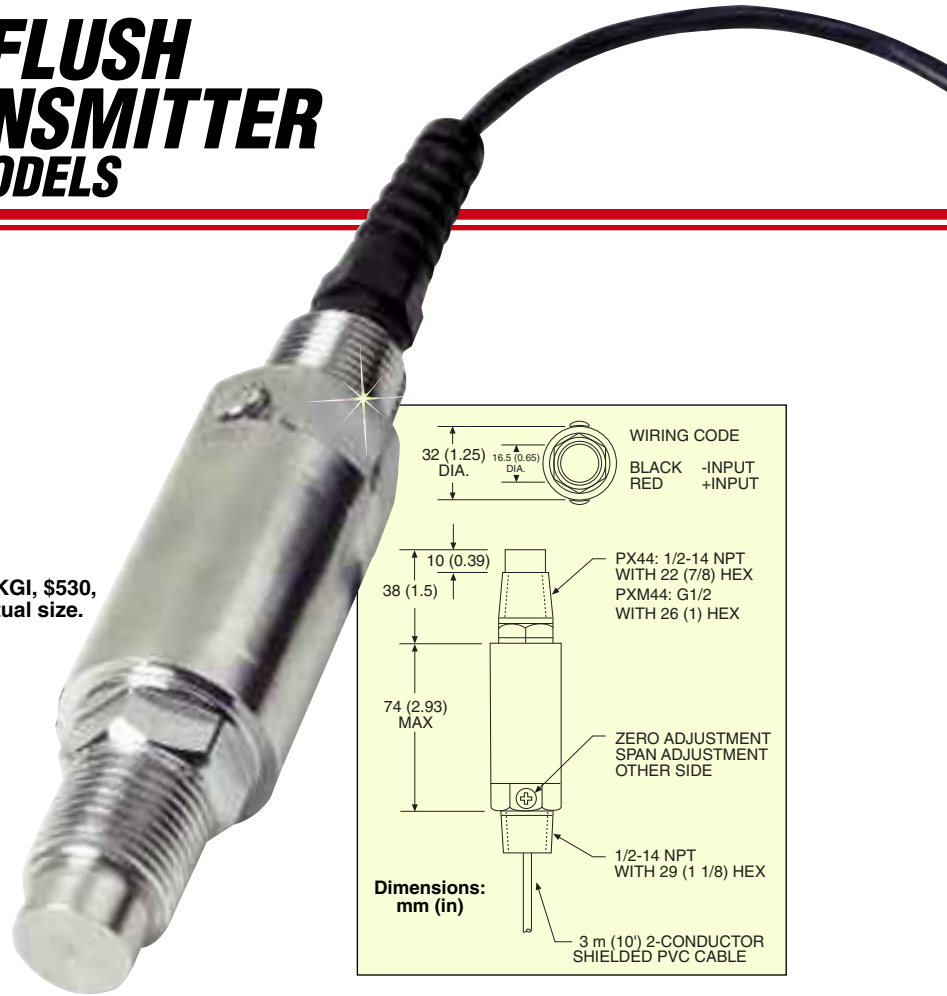
1 atmosphere = 14.7 psi = 29.93

inHg = 760.2 mmHg = 1.014 bar

All Ranges
\$530



PX44E0-1KGI, \$530,
shown actual size.



- ✓ Stainless Steel Construction
- ✓ For Food Processing or Industrial Applications
- ✓ 3 m (10') Cable with Conduit Connection for Installation in Harsh Environments
- ✓ 4 to 20 mA Output for Noise-Free Transmission

SPECIFICATIONS

Excitation: 10 to 40 Vdc

Output: 4 to 20 mA ±10% adj

Zero Balance: 4 mA +10% -2% adj

Accuracy: 0.5% linearity, hysteresis and repeatability combined

Operating Temp Range: -46 to 121°C (-50 to 250°F)

Compensated Temp Range: 16 to 71°C (60 to 160°F)

Thermal Effects:

Span: 0.003% of rdg/°F

Zero: 0.0045% of FSO/°F

Proof Pressure: 150% of range

Burst Pressure: 300% of range

Wetted Parts: 17-4 PH with 316 stainless steel diaphragm

Pressure Port: See dimensional drawing

Electrical Connection: 3 m (10') 2-conductor shielded cable with 1/2-14 NPT fitting

MOST POPULAR MODELS HIGHLIGHTED!

To Order (Specify Model Number)

RANGE		MODEL NO.	PRICE	COMPATIBLE METERS*
psi	bar			
½ NPT STANDARD MODELS				
0 to 500	0 to 34.5	PX44E0-500GI	\$530	DP41-E, DP25B-E, DP24-E
0 to 1000	0 to 68.9	PX44E0-1KGI	530	DP41-E, DP25B-E, DP24-E
0 to 1500	0 to 103	PX44E0-1.5KGI	530	DP41-E, DP25B-E, DP24-E
0 to 2000	0 to 138	PX44E0-2KGI	530	DP41-E, DP25B-E, DP24-E
0 to 2500	0 to 172	PX44E0-2.5KGI	530	DP41-E, DP25B-E, DP24-E
0 to 3000	0 to 207	PX44E0-3KGI	530	DP41-E, DP25B-E, DP24-E
0 to 5000	0 to 345	PX44E0-5KGI	530	DP41-E, DP25B-E, DP24-E
G½ METRIC MODELS				
bar	psi	MODEL NO.	PRICE	COMPATIBLE METERS*
0 to 40	0 to 580	PXM44ME0-040BARGI	\$530	DP41-E, DP25B-E, DP24-E
0 to 60	0 to 870	PXM44ME0-060BARGI	530	DP41-E, DP25B-E, DP24-E
0 to 100	0 to 1450	PXM44ME0-100BARGI	530	DP41-E, DP25B-E, DP24-E
0 to 160	0 to 2321	PXM44ME0-160BARGI	530	DP41-E, DP25B-E, DP24-E
0 to 250	0 to 3626	PXM44ME0-250BARGI	530	DP41-E, DP25B-E, DP24-E
0 to 350	0 to 5000	PXM44ME0-350BARGI	530	DP41-E, DP25B-E, DP24-E

Comes complete with 5-point NIST Traceable calibration.

* See section D for compatible meters.

To order sealed gage models, replace "G" in model number with "S" (no extra charge).

To order absolute gage models, replace "G" in model number with "A" (no extra charge).

To order with DIN connector replace "E0" with "E6" (no extra charge).

Ordering Examples: PX44E0-1KAI, 1000 psi absolute pressure transducer with stainless steel wetted parts, 3 m (10') cable and 4 to 20 mA output, \$530.

PXM44ME0-100BARGI, 100 bar sealed gage metric pressure transducer with stainless steel wetted parts, 3 m (10') cable and 4 to 20 mA output, \$530.