

Interchangeable with
Model TH-M3

SPEC SHEET
PX31

ALL STAINLESS STEEL PRESSURE TRANSDUCER for Test Applications

\$420

Model Shown

**PX31 Series
mV/V Output**

0-100 to 0-30,000 lb

0-7 to 0-2,000 bar

1 bar = 14.5 psi

1 kg/cm² = 14.22 psi

1 Atmosphere = 14.7 psi = 29.93

in-Hg = 760.2 mm-Hg = 1.014 bar

- ☑ **FM and CSA Approved
Intrinsically Safe - Standard**
- ☑ **All Stainless Steel
Construction**
- ☑ **Broad Compensated Range
34 to +77°C (-30 to +170°F)**
- ☑ **Hermetically Sealed for Harsh
Environments**
- ☑ **Available in Gage, Sealed
Gage or Absolute Pressure
Models**

The OMEGADYNE™ PX31 Series are rugged, industrial transducers with a broad compensated temperature range. Hermetically sealed, all stainless steel construction and special fittings make them ideal for measuring hydraulic pressures on engines, automotive test beds and other industrial applications where high temperatures are encountered. The PX31 is available in Gage, Sealed Gage or Absolute models.

**For Sales and Service
In U.S.A. and Canada**

**1-800-872-3963SM
1-800-USA-DYNE**

**International Customers Dial
(614) 965-9340
24-Hour FAX (614) 965-9438**

OMEGADYNESM FAX

OMEGADYNE's 24-Hour
On-Line Publishing Service

**1-800-344-3963SM
1-800-DIG-DYNE**

Document # 3673

OMEGADYNE, Inc.

149 Stelzer Court, Sunbury, OH 43074

<http://www.omegadyne.com>

e-mail: info@omegadyne.com

Formerly
T-HYDRONICS, INC.

© COPYRIGHT 1996 OMEGADYNE, INC. ALL RIGHTS RESERVED.



Model PX31K4-100GV

Shown Smaller Than Actual Size

A DS02 environmentally sealed connector is standard.

SPECIFICATIONS:

Electrical:

Excitation: 10 V ac/dc (15 V max)

Output: 3 mV/V ±0.01mV/V

Input Resistance: 360 Ohm Min.

Output Resistance: 350 ±5 Ohms

Zero Balance: ±0.5% FSO

Agency Approvals: FM/CSA
Intrinsically Safe IS/I.II.III/1/CDEFG

Performance:

Accuracy Class: 0.25%

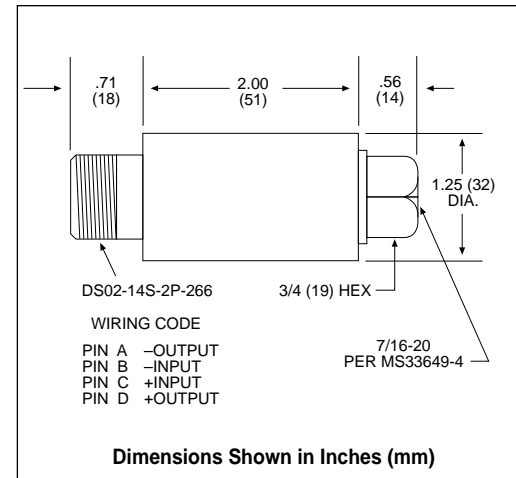
Linearity: ±0.25% FSO

Hysteresis: ±0.15% FSO

Repeatability: ±0.10% FSO

Environmental:

Operational Temp Range:
-54 to +121°C (-65 to +250°F)



Dimensions Shown in Inches (mm)

Compensated Temp Range:
-34 to +77°C (-30 to +170°F)

Thermal Effects:

Span: 0.005% Rdg/°F

Zero: 0.005% FSO/°F

Pressure:

Proof Pressure:

150% of rated pressure

Burst Pressure:

250% of rated pressure

Mechanical:

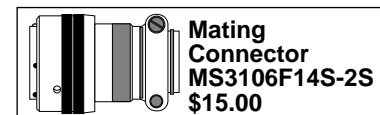
Wetted Parts: 17-4PH Stainless Steel

Pressure Port: 7/16-20 per MS33649-4

Electrical Connection:

DS02-14S-2P-266G

Mating Connector: not included



► **Most Popular Models Highlighted** ◀

Prices Shown in U.S. Dollars

To Order: (Specify Model Number)			
Range (psi)	Model Number	Price	Compatible Meters
0-100	PX31K4-100GV	\$420	INFS, INFCS
0-500	PX31K4-500GV	420	INFS, INFCS
0-1,000	PX31K4-1KGV	420	INFS, INFCS
0-2,000	PX31K4-2KGV	485	INFS, INFCS
0-5,000	PX31K4-5KGV	485	INFS, INFCS
0-10,000	PX31K4-10KGV	485	INFS, INFCS
0-20,000	PX31K4-20KGV	485	INFS, INFCS*
0-30,000	PX31K4-30KGV	485	INFS, INFCS*

Interchangeable with Model TH-M3

Metric Ranges Available - Consult Engineering

To order FM Intrinsically Safe add suffix "-IS" to model number.

To order CSA Approved model add suffix "-CSA" to model number.

To order Sealed Gage Pressure replace the "G" in the model number with a "S".

To order Absolute Pressure replace the "G" in the model number with a "A".

Ordering Examples: 1.) PX31K4-500SV is a 500 psi Sealed Gage model, \$420.

2.) PX31K4-10KGV is a 10,000 psi Gage model, \$485.

Mating Connector, MS3106F14S-2S, \$15.

Printed On Recycled Paper

