

Marine Pressure Transducer QPL Approved to MIL-P-24212C(SH)



Model PX2421
4 to 20 mA Output
115 AC Powered
0 to 10,000 psi



Shown
Actual
Size

OMEGADYNE, INC.
09AL6
MANUF: Omegadyne Inc.
PROD: Pressure Transducer
P/N:
CONTRACT:
DATE MANUF:
SER NUM:
GOVT NUM:
NSN:
PIN A =
PIN B =
PIN C = CASE GND
PIN D =
PIN E =

**Special
Low Pressure
Ranges Available!
Consult Engineering
for Details.**

- ✓ QPL Approved to MIL-P-24212C(SH) for AC Input Power Applications
- ✓ Pressure Connections per MS16142
- ✓ Non-Interacting Zero and Span Adjustments
- ✓ Mounting Interchangeable with Existing MIL-P-24212C(SH) Approved Products
- ✓ Convenient Calibration Test Points for Easy System Function Verification
- ✓ Modular Design for Easy Field Servicing
- ✓ Rugged Sputtered Thin Film Sensor
- ✓ State-of-the-Art Electronics
- ✓ All Mating Connectors Included

Rugged Design

The Model PX2421 marine pressure transducer has been designed to meet the stringent requirements of military standard MIL-P-24212C(SH).

Applications include naval shipboard use, both surface and sub-surface vessels, as well as general maritime uses.

The Model PX2421 marine transducer is available in pressure ranges from 15 to 10,000 psi. The transducer is powered by 115 Vac, 60 Hz, single phase power. The rugged electronics provide a 4 to 20 mA (2 wire current) output signal proportional to the input pressure measured that can be used for recording or control purposes.

Direct Replaceability

The Model PX2421 has been designed to be directly interchangeable with existing 115 Vac powered pressure transducers designed to the MIL-P-24212C(SH) standard.

SPECIFICATIONS

Applications: seawater, steam, oil, freshwater, condensate, other gases

Output: 4 to 20 mA

Power Supply: 115 Vac, 60 Hz, Single Phase

Loop Resistance: 0 to 250 Ω

Zero/Span Adjustments: 10% FSO

Temperature: Compensated 0 to 65°C (32 to 149°F)

Overpressure: 200% of range

Humidity: In accordance with MIL-P-24212C(SH)

Accuracy: $\pm 1.0\%$ of calibrated span inclusive of linearity, hysteresis and temperature effects

Repeatability: $\pm 0.5\%$ of calibrated span

Shock: In accordance with MIL-P-24212C(SH)

Vibration: In accordance with MIL-P-24212C(SH)

EMI: In accordance with MIL-P-24212C(SH)

Weight: 1.4 kg (3.1 lb)

Mating Connector: Cable MS3106F14S-5S, included

OMEGADYNE, INC.: Cage - 09AL6
CEC Pressure Products: Cage - 09384
Transamerica/CEC: Cage - 09384
Bell and Howell/CEC: Cage - 14028

T-Hydraulics: Cage - 8W004
Thurman Hydraulics: Cage - 11051
OMEGA ENGINEERING, INC.: Cage - 29907
Vanzetti Systems Inc: Cage - 50973

NEWPORT ELECTRONICS, INC.:
Cage - 32873

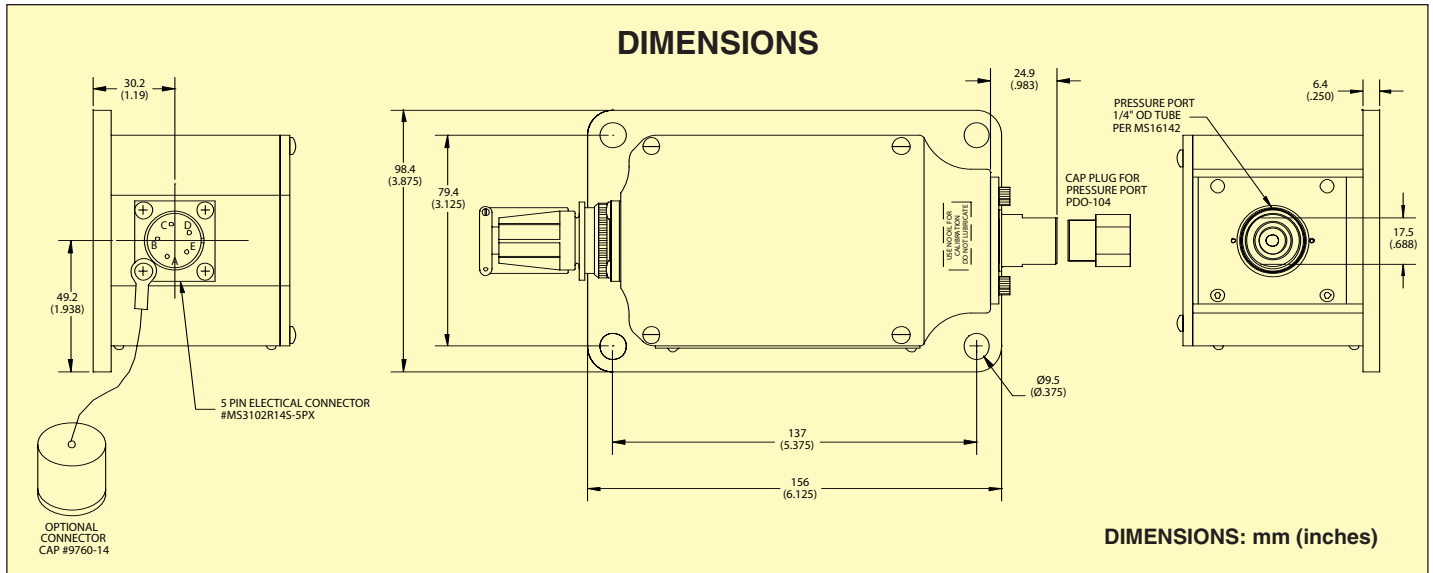
1-800-872-3963
1-800-USA-DYNE

OMEGADYNE
CEC Pressure Products





Marine Pressure Transducer QPL Approved to MIL-P-24212C(SH)



MANY MODELS AVAILABLE FOR FAST DELIVERY!

To Order (Specify Model Number)

MIL SPEC	PGT	GP	30	G	4
OMEGADYNE	A019265		30	G	

**CONNECTION OPTIONS
OMEGADYNE ONLY
SEE DRAWING A019265**

TYPE	
OMEGADYNE	MIL SPEC 1, 2, 1, 1
A019265	PGT
A019265	PCT
A019265	PVT

POWER SUPPLY	
OMEGADYNE	MIL SPEC 1, 2, 1, 5
DEFINED BY PART NO.	4

RANGE		
PRESSURE*	OMEGADYNE	MIL SPEC 1, 2, 1, 3
0-5	5	5
0-15	15	15
0-30	30	30
0-50	50	50
0-60	60	60
0-75	75	75
0-100	100	100
0-150	150	150
0-200	200	200
0-300	300	300
0-500	500	500
0-600	600	600
0-1000	1000	1000
0-1500	1500	1500
0-3000	3000	3000
0-5000	5000	5000
0-6000	6000	6000
0-10000	10000	10000
30"Hg-0-15	VAC-15	0-30/0-15
30"Hg-0-30	VAC-30	0-30/0-30
30"Hg-0-100	VAC-100	0-30/0-100
30"Hg-0-150	VAC-150	0-30/0-150
0-30"Hg	VAC	30

APPLICATION		
DIAPHRAGM MATERIAL	OMEGADYNE	MIL SPEC 1, 2, 1, 4
INCONEL	GP	GP
INCONEL	SW	SW

REFERENCE	
OMEGADYNE	MIL SPEC 1, 2, 1, 4
G	G (GAGE)
A	A (ABS.)
S	S (SEAL REF.)

*Optional pressure ranges available. Consult factory for details.

Ordering Example: PGT-GP-30-G-4,
Mil-P-24212C(SH) qualified pressure transducer, type GP, 0 to 30 psi gage pressure range and powered by 115 Vac. Consult sales for current pricing.

1-800-872-3963®
1-800-USA-DYNE

© COPYRIGHT 2004 OMEGADYNE INC. ALL RIGHTS RESERVED

OMEGADYNE
CEC Pressure Products

