

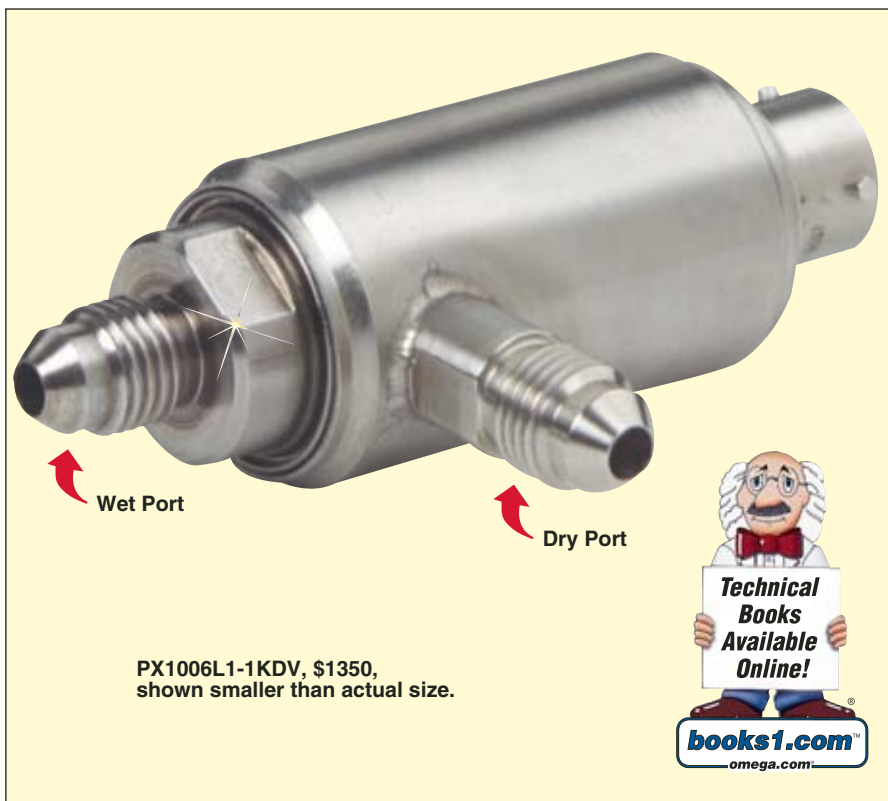
# ULTRA-HIGH-STABILITY AEROSPACE DIFFERENTIAL PRESSURE TRANSDUCER

## WET/DRY APPLICATIONS

### PX1006 Series mV/V Output 0-15 to 5000 psid (0-1 to 350 bar) Differential Pressure

1 bar = 14.5 psi  
1 kg/cm<sup>2</sup> = 14.22 psi  
1 atmosphere = 14.7 psi = 29.93 inHg = 760.2 mmHg = 1.014 bar

Starts at  
**\$1350**



DIFFERENTIAL PRESSURE TRANSDUCERS

- ✓ High-Accuracy, High-Stability Wet/Dry Differential Pressure
- ✓ All Stainless Steel Body for Harsh Industrial Environments
- ✓ High Overpressure Capability
- ✓ Broad Compensated Temperature Range
- ✓ Shock and Vibration Resistant

The PX1006 wet/dry differential pressure transducers are high-stability aerospace units that use a sputtered strain gage assembly. The sputtering method produces an ultra-stable high-temperature sensor that can withstand high shock and vibration environments. The wet chamber is all stainless steel and is compatible with most industrial fluids. The reference chamber is limited to dry, non-corrosive, non-conductive fluids and gases.

**MOST POPULAR MODELS HIGHLIGHTED!**

To Order (Specify Model Number)				
Unidirectional Wet/Dry Thin-Film Differential Pressure Transducer				
RANGE		MODEL NO.	PRICE	COMPATIBLE METERS*
0 to 15 psid	0 to 1.0 bar	PX1006L1-015DV	\$1350	DP41-S, DP25B-S
0 to 25 psid	0 to 1.7 bar	PX1006L1-025DV	1350	DP41-S, DP25B-S
0 to 50 psid	0 to 3.4 bar	PX1006L1-050DV	1350	DP41-S, DP25B-S
0 to 100 psid	0 to 6.9 bar	PX1006L1-100DV	1350	DP41-S, DP25B-S
0 to 500 psid	0 to 34.5 bar	PX1006L1-500DV	1350	DP41-S, DP25B-S
0 to 1000 psid	0 to 68.9 bar	PX1006L1-1KDV	1350	DP41-S, DP25B-S
0 to 1500 psid	0 to 103 bar	PX1006L1-1.5KDV	1350	DP41-S, DP25B-S
0 to 2000 psid	0 to 138 bar	PX1006L1-2KDV	1350	DP41-S, DP25B-S
0 to 2500 psid	0 to 172 bar	PX1006L1-2.5KDV	1350	DP41-S, DP25B-S
0 to 5000 psid	0 to 345 bar	PX1006L1-5KDV	1350	DP41-S, DP25B-S

Comes with 5-point calibration.

\* See section D for compatible meters.

Metric ranges available – consult Engineering.

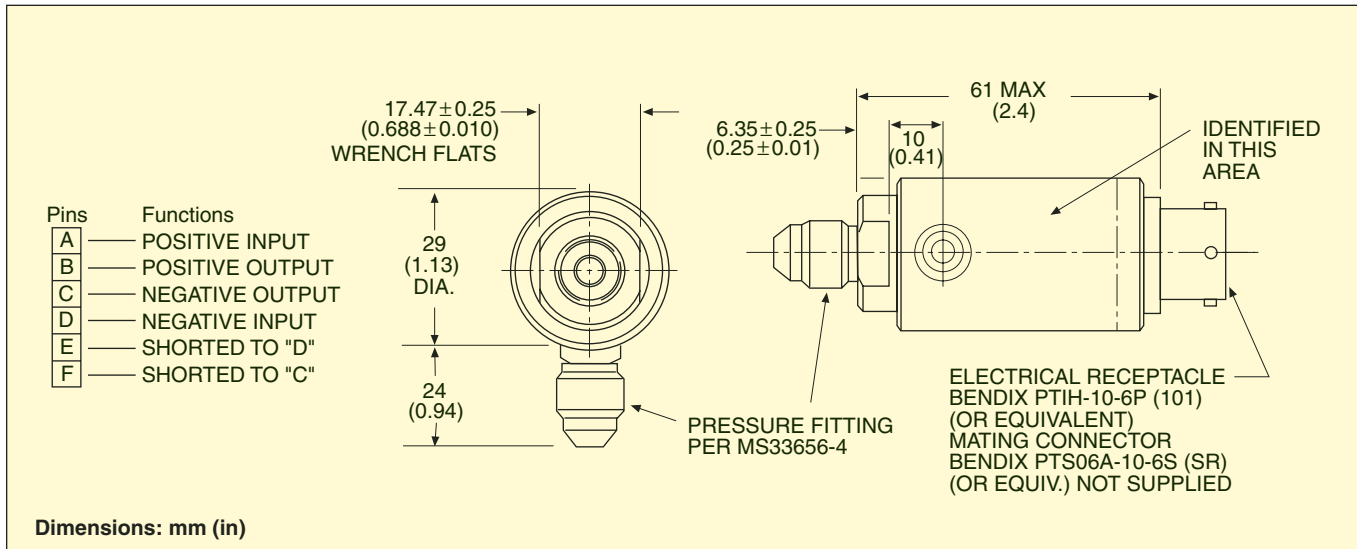
**Ordering Examples:** PX1006L1-500DV, 500 psid wet/dry differential pressure transducer with mV/V output and integral connector, \$1350. PT06A-10-6S, mating connector (not included), \$26.50. PX1006L1-015DV, 15 psid wet/dry differential pressure transducer with mV/V output and integral connector, \$1350. PT06A-10-6S, mating connector (not included), \$26.50.

#### ACCESSORY

MODEL NO.	PRICE	DESCRIPTION
CM-4333	\$115	Reference Book: Plantwide Process Control



# ULTRA-HIGH-STABILITY DIFFERENTIAL PRESSURE TRANSDUCER



## SPECIFICATIONS

### mV/V Output

#### ELECTRICAL

**Excitation:** 10 Vdc

**Output:** 30 mV nominal, 26 mV minimum

**Bridge Resistance:** 350 Ω nominal

**Zero Balance:** 0 mV ±2% FSO

**Input Resistance:** 400 Ω nominal

**Output Resistance:** 400 Ω nominal

#### PERFORMANCE

**Accuracy:** ±0.25% FSO linearity, hysteresis and repeatability combined

**Hysteresis:** <0.1% FSO

**Repeatability:** <0.05% FSO

**Zero Shift with Line Pressure:**

**Line Pressure ≤3 psia:** <1.5%

**Line Pressure 3 to 15 psia:** <0.25%

**Line Pressure >15 psia:** <2.5%

**Sensitivity Shift with Line Pressure:**

<0.5% per 100 psi

#### ENVIRONMENTAL

**Operating Temp Range:**

-54 to 149°C (-65 to 300°F)

**Compensated Temp Range:**

-54 to 121°C (-65 to 250°F)

**Thermal Effects:**

**Zero:** ±0.009% FSO/°C

(±0.005% FSO/°F)

**Span:** ±0.009% rdg/°C

(±0.005% rdg/°F)

**Full Scale Output Stability:**

Less than 0.05% FSO for 2 hr at room temperature. Less than 0.10% FSO for 2 hr at 121°C (250°F).

**Zero Stability:** Less than 0.05% FSO for 2 hr at room temperature. Less than 0.10% FSO for 2 hr at 121°C (250°F).

#### PRESSURE

**Ranges psid:** 15, 25, 50, 100, 300, 500, 1000, 2000, 2500, 5000

**Safe Overpressure:** 200% rated pressure or 15,000 psi, whichever is less

**Burst Pressure:** 300% rated pressure or 20,000 psi, whichever is less

**Reference Chamber Pressure Range:** 0 to 400 psi

#### MECHANICAL

**Media Compatibility:**

**Wet Connection:** 17-4 PH stainless steel

**Dry Connection:** Clean, dry, non-corrosive, non-conductive fluids

**Natural Frequency:** 50,000 Hz @ 5000 psi decreasing logarithmically to 5000 Hz @ 15 psi

**Shock:** 100 g half-sine wave for an 11 ms duration

**Vibration:** 35 g peak sinusoidal vibration from 10 Hz to 2 kHz limited to ½" D.A.

**Pressure Port:** MS33656-4 (7/16-20)

**Electrical Connection:** PTIH-10-6P (or equal)

**Mating Connector:** PT06F-10-6S (not included)

**Weight:** 142 g (5 oz) maximum

