

**SPEC SHEET**  
**PX02-mVNPT**

Interchangeable with  
**Model TH-2**

**\$494**  
Model Shown

**PX02 SERIES**  
**mV/V Output**  
0-10 to 7,500 psi  
0-150 mbar to 0-500 bar

1 bar = 14.5 psi  
1 kg/cm<sup>2</sup> = 14.22 psi  
1 Atmosphere = 14.7 psi = 29.93  
in-Hg = 760.2 mm-Hg = 1.014 bar

- ✓ High Accuracy
- ✓ High Operating Temperature  
163°C (325°F)
- ✓ FM/CSA Intrinsically Safe - Standard
- ✓ FM listed for use in Hazardous Locations - Optional
- ✓ All Stainless Steel Construction
- ✓ Shunt Calibration for Easy System Checks
- ✓ Hermetically Sealed Double Diaphragm Design for Harsh Environments
- ✓ Available in Gage, Absolute, Sealed Gage and Metric in psi Ranges
- ✓ Cable or Connector Models

For Sales and Service  
In U.S.A. and Canada

**1-800-872-3963**  
**1-800-USA-DYNE**

International Customers Dial  
**(614) 965-9340**  
24-Hour FAX (614) 965-9438

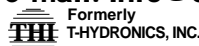
**OMEGADYNE<sup>SM</sup> FAX**

OMEGADYNE's 24-Hour  
On-Line Publishing Service

**1-800-344-3963**  
**1-800-DIG-DYNE**

Document # 3660

**OMEGADYNE, Inc.**  
149 Stelzer Court, Sunbury, OH 43074  
<http://www.omegadyne.com>  
e-mail: [info@omegadyne.com](mailto:info@omegadyne.com)



© COPYRIGHT 1996 OMEGADYNE, INC. ALL RIGHTS RESERVED.



**HIGH ACCURACY MILLIVOLT OUTPUT PRESSURE TRANSDUCER**  
**1/4-18 NPT Pressure Connection**

Model PX02C1-075GV  
Shown Smaller than Actual Size

► Most Popular Models Highlighted ◀

Prices Shown in U.S. Dollars

To Order: (Specify Model Number)			
Models with 1/4 NPT Connection / Connector Style			
Range (psi)	Model Number	Price	Compatible Meters
<b>Absolute Pressure (All Ranges Available in Absolute Pressure)</b>			
0-10	PX02C1-010AV	\$569	INFS, INFCS
0-15	PX02C1-015AV	569	INFS, INFCS
0-20	PX02C1-020AV	569	INFS, INFCS
0-25	PX02C1-025AV	569	INFS, INFCS
0-50	PX02C1-050AV	569	INFS, INFCS
<b>Gage Pressure (All Ranges Also Available in Sealed Gage Pressure)</b>			
0-10	PX02C1-010GV	559	INFS, INFCS
0-15	PX02C1-015GV	559	INFS, INFCS
0-50	PX02C1-050GV	559	INFS, INFCS
0-75	PX02C1-075GV	494	INFS, INFCS
0-100	PX02C1-100GV	494	INFS, INFCS
0-200	PX02C1-200GV	494	INFS, INFCS
0-300	PX02C1-300GV	494	INFS, INFCS
0-500	PX02C1-500GV	494	INFS, INFCS
0-1000	PX02C1-1KGV	494	INFS, INFCS
0-1500	PX02C1-1.5KGV	494	INFS, INFCS
0-2000	PX02C1-2KGV	494	INFS, INFCS
0-3500	PX02C1-3.5KGV	494	INFS, INFCS
0-5000	PX02C1-5KGV	494	INFS, INFCS
0-7500	PX02C1-7.5KGV	494	INFS, INFCS

Interchangeable with Model TH-2

Metric Ranges Available - Consult Engineering

To order FM Hazardous Location Approved Models add suffix "-FM" to model number, +\$150.

To order Absolute Pressure replace the "G" in model number with "A" (add \$10).

To order Sealed Gage units replace "G" in model number with "S" (no charge)

**Ordering Examples:** 1.) **PX02C1-1KGV** is a 1,000 psi range transducer with mV/V output, twist lock connector and 1/4-18 NPT male pressure connection, \$494. Mating Connector (not included) **PTO6F-10-6S**, \$26.50.

2.) **PX02C1-1KGV-FM** is a 1,000 psi range transducer with mV/V output, twist lock connector and 1/4-18 NPT male pressure connection with FM Hazardous Locations rating, \$494+150 = \$644. Mating Connector (not included) **PTO6F-10-6S**, \$26.50.

Printed On Recycled Paper



The OMEGADYNE™ PX02 Series are high accuracy, millivolt output, industrial pressure transducers. Hermetically sealed, all stainless steel construction makes the PX02 suitable for harsh environments.

FM/CSA approved, Intrinsically Safe and FM explosion proof ratings are available. High operating temperature, broad compensated range and excellent temperature compensation allow stable readings in applications with fluctuating temperatures. The PX02 is available in gage, absolute or sealed gage models as well as PSI or metric ranges. A 1/4" NPT male is standard with NPT Female and and 7/16-20 O-ring seal fittings available for industrial and Hydraulic applications.

### SPECIFICATIONS: mv/V Output

#### Electrical:

**Excitation:** 10 V ac/dc (15 V Max)

**Output:** 3 mV/V ±0.25%

**Input Resistance:** 360 Ohm Min.

**Output Resistance:** 350 ±5 Ohms

**Zero Balance:** ±1.0% of FSO

**Agency Approvals:** Hazardous Locations S/I/1/ABCD - Optional FM/CSA Intrinsically Safe IS/I.II.III/1/CDEFG - Standard

**Shunt Calibration:** Value specified on Calibration sheet

#### Performance:

**Accuracy Class:** ±0.1%

**Linearity:** ±0.1% FSO

**Hysteresis:** ±0.05% FSO

**Repeatability:** ±0.05% FSO

**Sensing Element:** 4 active-arm bridge, using thick film strain gages in a hermetically sealed "double diaphragm" chamber

#### Environmental:

**Operating Temp Range:** -73 to 163°C (-100 to 325°F)

**Compensated Temp Range:** 16 to 71°C (60 to 160°F)

**Thermal Effects:** Span: 0.003% of Rdg/°F Zero: 0.0025% of FSO/°F

#### Pressure:

**Ranges (PSI):** 10, 15, 20, 25, 50, 75, 100, 150, 200, 250, 300, 500, 750, 1K, 1.5K, 2K, 3K, 3.5K, 5K, 7.5K

#### Proof Pressure:

150% of rated pressure

#### Burst Pressure:

300% of rated pressure

#### Mechanical:

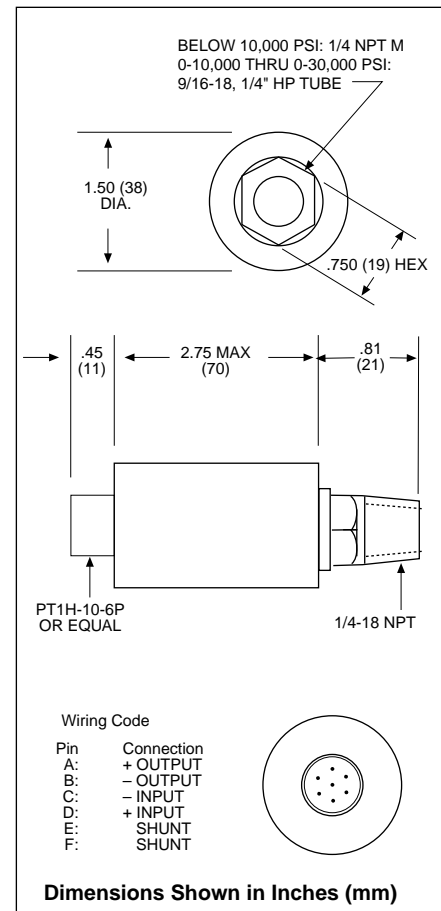
**Wetted Parts:** 17-4PH Stainless Steel

#### Pressure Port:

Ranges <10,000 psi: 1/4-18 NPT Male  
Ranges ≥10,000 psi: 9/16-18, 1/4" HP tube  
Also available: 7/16-20 UNF M/F, 1/4-18 NPT Female

**Electrical Connection:** PT1H-10-6P or equal. Also available: 10 ft (3m) 6-conductor cable

**Mating Connector:** PT06F-10-6S (not included)



### CUSTOM CONFIGURATIONS

SERIES PX02	PRESSURE PORT [ 1 ]	ELECTRICAL CONNECTION [ 2 ]	RANGE (PSI) [ 3 ]	UNITS [ 4 ]	OUTPUT [ 5 ]	OPTIONS [ 6 ]
	Models < 10,000 psi		002*	S,G,A	V = mV/V Output	FM = FM Hazardous
	C = 1/4-18 NPT-M +\$19		005*	S,G,A	Base Price	Location +\$150
	D = 1/4-18 NPT-F no charge		010	S,G,A	5T = 0 to 5Vdc Output	mV/V model only
	J = 7/16-20 UNF-M +\$19		015	S,G,A	+ \$155	OL = Overload Stops
	K = 7/16-20 UNF-F no charge		020	S,G,A	5Z = Isolated 0 to 5 Vdc	+ \$45
	Models ≥10,000 psi		025	S,G,A	Output +\$190 all	OX = Cleaned for
	S = 1/4 HP Tube Fitting		050	S,G,A	ranges	Oxygen use
	no charge		075	S,G,A	10T= 0 to 10 Vdc Output	+ \$75 & 2 weeks
			100	S,G,A	+ \$155 all ranges	
	0 = 10 ft (3m) cable (std)		150	S,G,A	I = 4 to 20mA Output	
	+ \$2/ft over 10 ft		200	S,G,A	+ \$175 all ranges	
	1 = PT1H-10-6P Connector		250	S,G,A		
	or equal (no charge)		300	S,G,A		
	Mating Connector		500	S,G,A		
	(not included) order		750	S,G,A		
	PT06F-10-6S \$26.50		1K	S,G,A		
	5 = Lightning protected		1.5K	S,G,A		
	Amplifier Box (no charge)		2K	S,G,A		
	(4-20 mA models only)		3K	S,G,A		
			3.5K	S,G,A		
			5K	S,G,A		
			7.5K	S,G,A		
			10K†	S,G,A		
			20K†	S,G,A		
			30K†	S,G,A		

**Mating Connector**  
PT06F-10-6S,  
\$26.50

**To Order a Custom Configuration:**

1. Select a Pressure Port
2. Select Electrical Connection
3. Select a Pressure Range
4. Select Pressure Units
5. Select Output
6. Select Options and Agency Approvals

\* 2 and 5 psi Ranges available only on amplified output models

† 1/4 HP Tube Fitting - Standard

Interchangeable with Model TH-2

Metric Ranges Available - Consult Engineering

**Ordering Examples:** 1.) **PX02C1-100GI** is a 100 psi Gage Pressure transducer with a 1/4-18 NPT-Male fitting, a PT1H-10-6P Connector, and 4-20 mA output, \$475+175+19 = \$669. To order Mating Connector (not included) **PT06F-10-6S, \$26.50.**

2.) **PX02K0-1KS5Z** is a 1,000 psi Sealed Gage Pressure transducer, with a 7/16-20 UNF-Female fitting, a 10 ft (3m) cable, and Isolated 0 to 5 output, \$475+190 = \$665.

3.) **PX02J1-015A5T** is a 15 psi Absolute Pressure transducer with, a 7/16-20 UNF-Male fitting, PT1H-10-6P Connector, and a 0 to 5 Vdc output, \$540+155+19 = \$714. To order Mating Connector (not included) **PT06F-10-6S, \$26.50.**

4.) **PX02K5-025GV-FM** is a 25 psi Gage Pressure transducer, with a 7/16-20 UNF-Female fitting, a lightning protected amplifier housing, mV/V output, and Factory Mutual Hazardous Locations rating, \$540+155+19 = \$714.