

HIGH-ACCURACY AMPLIFIED VOLTAGE OUTPUT PRESSURE TRANSDUCER

7/16-20 OR 1/4 NPT CONNECTIONS

PX02 Series
 0 to 5 Vdc Output
 0-2 to 0-30,000 psi
 0-150 mbar to 0-2000 bar

Starts at
\$630



PX02K1-100G5T, NPT connector style, \$630, shown smaller than actual size.



PX02C0-100G5T, NPT cable style, \$650, shown smaller than actual size.



- ✓ Internal Shunt Resistor for Easy System Checks
- ✓ FM Intrinsically Safe
- ✓ All Stainless Steel Construction

- ✓ Available in Gage, Absolute, Sealed Gage, psi, and Metric Ranges
- ✓ Cable or Connector Models
- ✓ Optional Pressure Ports to Fit Most Industrial Applications

OMEGA's PX02 is a high-accuracy, amplified voltage output, industrial pressure transducer. All stainless steel construction and a hermetically sealed case make the PX02 suitable for harsh industrial environments. It is a true high-accuracy industrial device with FM Intrinsically Safe rating standard.

MOST POPULAR MODELS HIGHLIGHTED!

To Order (Specify Model Number)

RANGE	7/16 TO 20 MODEL NO.	PRICE	1/4 NPT MODEL NO.	PRICE	COMPATIBLE METERS*	
ABSOLUTE PRESSURE (All Ranges Available in Absolute Pressure)						
0 to 10 psi	0 to 0.69 bar	PX02K1-010A5T	\$745	PX02C1-010A5T	\$755	DP41-E, DP25B-E
0 to 15 psi	0 to 1.0 bar	PX02K1-015A5T	745	PX02C1-015A5T	755	DP41-E, DP25B-E
0 to 20 psi	0 to 1.4 bar	PX02K1-020A5T	745	PX02C1-020A5T	755	DP41-E, DP25B-E
0 to 25 psi	0 to 1.72 bar	PX02K1-025A5T	745	PX02C1-025A5T	755	DP41-E, DP25B-E
0 to 50 psi	0 to 3.4 bar	PX02K1-050A5T	680	PX02C1-050A5T	700	DP41-E, DP25B-E
GAGE PRESSURE (All Ranges Also Available in Sealed Gage Pressure)						
0 to 2 psi	0 to 0.14 bar	PX02K1-002G5T	\$695	PX02C1-002G5T	\$715	DP41-E, DP25B-E
0 to 5 psi	0 to 0.34 bar	PX02K1-005G5T	695	PX02C1-005G5T	715	DP41-E, DP25B-E
0 to 10 psi	0 to 0.69 bar	PX02K1-010G5T	695	PX02C1-010G5T	715	DP41-E, DP25B-E
0 to 15 psi	0 to 1.0 bar	PX02K1-015G5T	695	PX02C1-015G5T	715	DP41-E, DP25B-E
0 to 50 psi	0 to 3.4 bar	PX02K1-050G5T	630	PX02C1-050G5T	650	DP41-E, DP25B-E
0 to 75 psi	0 to 5.2 bar	PX02K1-075G5T	630	PX02C1-075G5T	650	DP41-E, DP25B-E
0 to 100 psi	0 to 6.9 bar	PX02K1-100G5T	630	PX02C1-100G5T	650	DP41-E, DP25B-E
0 to 200 psi	0 to 13.8 bar	PX02K1-200G5T	630	PX02C1-200G5T	650	DP41-E, DP25B-E
0 to 300 psi	0 to 20.7 bar	PX02K1-300G5T	630	PX02C1-300G5T	650	DP41-E, DP25B-E
0 to 500 psi	0 to 34.5 bar	PX02K1-500G5T	630	PX02C1-500G5T	650	DP41-E, DP25B-E
0 to 1000 psi	0 to 68.9 bar	PX02K1-1KG5T	630	PX02C1-1KG5T	650	DP41-E, DP25B-E
0 to 1500 psi	0 to 103 bar	PX02K1-1.5KG5T	630	PX02C1-1.5KG5T	650	DP41-E, DP25B-E
0 to 2000 psi	0 to 138 bar	PX02K1-2KG5T	630	PX02C1-2KG5T	650	DP41-E, DP25B-E
0 to 3500 psi	0 to 241 bar	PX02K1-3.5KG5T	630	PX02C1-3.5KG5T	650	DP41-E, DP25B-E
0 to 5000 psi	0 to 345 bar	PX02K1-5KG5T	630	PX02C1-5KG5T	650	DP41-E, DP25B-E
0 to 7500 psi	0 to 517 bar	PX02K1-7.5KG5T	630	PX02C1-7.5KG5T	650	DP41-E, DP25B-E
0 to 10,000 psi**	0 to 689 bar	PX02S1-10KG5T	730	not available		DP41-E, DP25B-E*
0 to 20,000 psi**	0 to 1379 bar	PX02S1-20KG5T	730	not available		DP41-E, DP25B-E*
0 to 30,000 psi**	0 to 2068 bar	PX02S1-30KG5T	730	not available		DP41-E, DP25B-E*

Comes with 5-point calibration.

* 4-digit meter, counts in increments of 10. ** 1/4 HP tube fitting. † See section D for compatible meters.

To order absolute pressure, replace "G" in model number with "A" and add \$50.

To order sealed gage units, replace "G" in model number with "S" (no extra charge).

Ordering Examples: PX02K1-1KG5T, 1000 psi gage transducer with 0 to 5 V output, twist-lock connector and 7/16-20 female pressure connection, \$630. PT06F-10-6S, mating connector (not included), \$26.50. PX02C0-010G5T, 10 psi gage transducer with 0 to 5 V output, 3 m (10') cable and 1/4 NPT male pressure connection, \$715. PT06F-10-6S, mating connector (not included), \$26.50.



VOLTAGE OUTPUT PRESSURE TRANSDUCERS

B

HIGH-ACCURACY ALL STAINLESS STEEL TRANSDUCER

A broad temperature-compensated range of 16 to 71°C (60 to 160°F) makes this transducer very stable with fluctuating temperatures. The PX02 is available in gage, absolute, or sealed models, as well as psi or metric ranges. NPT and 7/16-20 O-ring seal fittings are available for industrial and hydraulic applications.

SPECIFICATIONS

Excitation: 24 to 32 Vdc

Output: 0 to 5 Vdc ±10% adjustable

Linearity: ±0.15% FSO

Hysteresis: ±0.1% FSO

Repeatability: ±0.05% FSO

Zero Balance: 0 V ±10% adj

Agency Approvals: Standard FM Intrinsically Safe IS/1.II.III/1/CDEFG

Sensing Element: 4-active-arm bridge, using thick-film strain gages in a hermetically sealed chamber (except gage units)

Shunt Calibration Value: Specified on calibration sheet

Operating Temp Range: -46 to 121°C (-50 to 250°F)

Compensated Temp Range: 16 to 71°C (60 to 160°F)

Thermal Effects:

Span: 0.003% of rdg/°F
Zero: 0.003% of FSO/°F

Proof Pressure:

150% of rated pressure

Burst Pressure:

300% of rated pressure

Wetted Parts: 17-4 PH stainless steel

Pressure Port:

Ranges <10,000 psi:

Style "K": 7/16-20 UNF female

Style "C": 1/4 NPT male

Ranges ≥10,000 psi:

Style "S": 3/8-18, 1/4 inch HP tube.

Also available: 1/4-18 NPT female or 7/16-20 UNF male.

Electrical Connection:

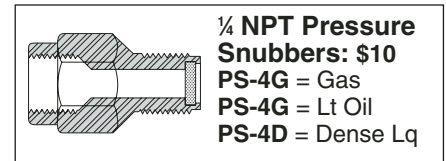
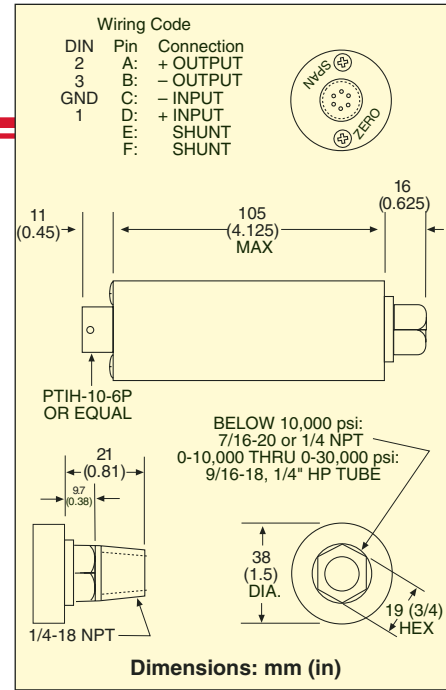
Style "1" = PTIH-10-6P or equal

Style "0" = 3 m (10') 6-cond. cable

Mating Connector:

PT06F-10-6S (not included)

Weight: 388 g (13.7 oz)



CUSTOM CONFIGURATIONS

SERIES PX02	PRESSURE PORT [1]	ELECTRICAL CONNECTION [2]	RANGE (psi) [3]	UNITS [4]	OUTPUT [5]	OPTIONS [6]
	Models <10,000 psi		002*	S,G,A	V = mV/V output	OL = Overload stops
	C = 1/4-18 NPT-M +\$20		005*	S,G,A	Add to base price	+\$65 (when available)
	D = 1/4-18 NPT-F, no charge		010	S,G,A	5T = 0 to 5 Vdc output	
	J = 7/16-20 UNF-M +\$20		015	S,G,A	+\$155 all ranges	OX = Cleaned for oxygen use
	K = 7/16-20 UNF-F, no charge		020	S,G,A	5Z = Isolated 0 to 5 Vdc	+\$75 plus
	Models ≥10,000 psi		025	S,G,A	+\$190 all ranges	2 weeks
	S = 1/4 HP tube fitting		050	S,G,A	10T = 0 to 10 Vdc output	
	no charge		075	S,G,A	+\$155 all ranges	
			100	S,G,A	I = 4 to 20 mA output	
	0 = 3 m (10') cable (std)		150	S,G,A	+\$175 all ranges	
	+ \$6.50/ft over 3 m (10')		200	S,G,A		See page B-12 for additional options, including extended compensated temperatures.
	1 = PTIH-10-6P connector (or equal, no charge).		250	S,G,A		
	Mating connector (not included), order		300	S,G,A		
	PT06F-10-6S \$26.50		500	S,G,A		
	5 = Lightning-protected amplifier box (no charge) (4 to 20 mA models only)		750	S,G,A		
	6 = DIN connector		1K	S,G,A		
			1.5K	S,G,A		
			2K	S,G,A		
			3K	S,G,A		
			3.5K	S,G,A		
			5K	S,G,A		
			7.5K	S,G,A		
			10K†	S,G,A		
			20K†	S,G,A		
			30K†	S,G,A		

* 2 and 5 psi ranges available only on amplified output.
† Supplied with 1/4 HP tube fitting.
Metric ranges available – consult Engineering.

Ordering Examples: **PX02C1-100GI**, 100 psi gage pressure transducer with 1/4-18 NPT male fitting, **PTIH-10-6P**, connector, and 4 to 20 mA output, \$475 + 175 + 20 = **\$670**. **PT06F-10-6S**, mating connector (not included), **\$26.50**. **PX02K0-1KS5Z**, 1000 psi sealed gage pressure transducer with 7/16-20 UNF female fitting, 3 m (10') cable and isolated 0 to 5 output, \$475 + 190 = **\$665**. **PX02J1-015A5T**, 15 psi absolute pressure transducer with 7/16-20 UNF male fitting, **PTIH-10-6P**, connector and 0 to 5 Vdc output, \$540 + 155 + 20 = **\$715**. **PT06F-10-6S** mating connector (not included), **\$26.50**. **PX02K5-025GV**, 25 psi gage pressure transducer, with 7/16-20 UNF female fitting, mV/V output and lightning-protected amplifier housing, **\$540**.

ACCESSORY

MODEL NO.	PRICE	DESCRIPTION
CH-5657	\$71.50	Reference Book: Practical Strategies for Experimenting

