

VERY-HIGH-ACCURACY AMPLIFIED VOLTAGE OUTPUT TRANSDUCER

7/16-20 OR 1/4 NPT CONNECTIONS

PX01 Series

0 to 5 Vdc Output
0-2 to 0-30,000 psi
0-150 mbar to 0-2000 bar

Starts at
\$835



PX01C1-100G5T, cable/NPT model, \$855, shown smaller than actual size.

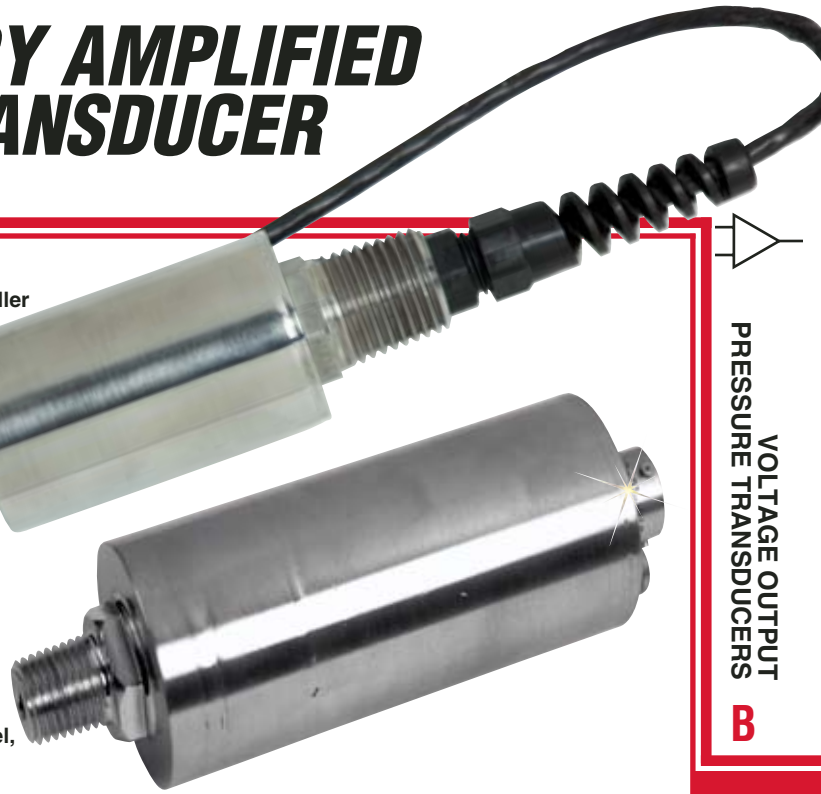


PX01C0-100G5T, connector/NPT model, \$835, shown smaller than actual size.

- 0.05% Linearity
- Internal Shunt Resistor for Easy System Checks
- FM Intrinsically Safe
- 5-Point Calibration Provided
- All Stainless Steel Construction
- Hermetically Sealed Design for Harsh Environments
- Available in Gage, Absolute, Sealed Gage, psi, and Metric Ranges
- Cable or Connector Models
- Optional Pressure Ports to Fit Most Industrial Applications

OMEGA's PX01 Series pressure transducers are very high-accuracy, amplified voltage output units for industrial applications. Their all stainless steel construction and hermetically sealed case make them suitable for harsh environments. An FM Intrinsically Safe rating is standard. A broad temperature-compensated range of 15 to 71°C (60 to 160°F) and excellent temperature compensation make these transducers very stable with fluctuating temperatures.

The PX01 is available in gage, absolute, or sealed models, as well as in psi or metric ranges. NPT and 7/16-20 O-ring seal fittings are available for industrial and Hydraulic applications.



VOLTAGE OUTPUT PRESSURE TRANSDUCERS

MOST POPULAR MODELS HIGHLIGHTED!

To Order (Specify Model Number)						
RANGE		7/16-20	PRICE	1/4 NPT	PRICE	COMPATIBLE METERS*
psi	bar	MODEL NO.		MODEL NO.		
Connector Style – Absolute Pressure (All Ranges Available in Absolute Pressure)						
0 to 10	0 to 0.69	PX01K1-010A5T	\$955	PX01C1-010A5T	\$975	DP41-E, DP25B-E
0 to 15	0 to 1.0	PX01K1-015A5T	955	PX01C1-015A5T	975	DP41-E, DP25B-E
0 to 20	0 to 1.4	PX01K1-020A5T	955	PX01C1-020A5T	975	DP41-E, DP25B-E
0 to 25	0 to 1.7	PX01K1-025A5T	955	PX01C1-025A5T	975	DP41-E, DP25B-E
0 to 50	0 to 3.4	PX01K1-050A5T	885	PX01C1-050A5T	905	DP41-E, DP25B-E
Connector Style – Gage Pressure (All Ranges Also Available in Sealed Gage Pressure)						
0 to 2	0 to 0.14	PX01K1-002G5T	\$905	PX01C1-002G5T	\$925	DP41-E, DP25B-E
0 to 5	0 to 0.34	PX01K1-005G5T	905	PX01C1-005G5T	925	DP41-E, DP25B-E
0 to 10	0 to 0.69	PX01K1-010G5T	905	PX01C1-010G5T	925	DP41-E, DP25B-E
0 to 15	0 to 1.0	PX01K1-015G5T	905	PX01C1-015G5T	925	DP41-E, DP25B-E
0 to 50	0 to 3.4	PX01K1-050G5T	835	PX01C1-050G5T	855	DP41-E, DP25B-E
0 to 75	0 to 5.2	PX01K1-075G5T	835	PX01C1-075G5T	855	DP41-E, DP25B-E
0 to 100	0 to 6.9	PX01K1-100G5T	835	PX01C1-100G5T	855	DP41-E, DP25B-E
0 to 200	0 to 13.8	PX01K1-200G5T	835	PX01C1-200G5T	855	DP41-E, DP25B-E
0 to 300	0 to 20.7	PX01K1-300G5T	835	PX01C1-300G5T	855	DP41-E, DP25B-E
0 to 500	0 to 34.5	PX01K1-500G5T	835	PX01C1-500G5T	855	DP41-E, DP25B-E
0 to 1000	0 to 68.9	PX01K1-1KG5T	835	PX01C1-1KG5T	855	DP41-E, DP25B-E
0 to 1500	0 to 103	PX01K1-1.5KG5T	835	PX01C1-1.5KG5T	855	DP41-E, DP25B-E
0 to 2000	0 to 138	PX01K1-2KG5T	835	PX01C1-2KG5T	855	DP41-E, DP25B-E
0 to 3500	0 to 241	PX01K1-3.5KG5T	835	PX01C1-3.5KG5T	855	DP41-E, DP25B-E
0 to 5000	0 to 345	PX01K1-5KG5T	835	PX01C1-5KG5T	855	DP41-E, DP25B-E
0 to 7500	0 to 517	PX01K1-7.5KG5T	835	PX01C1-7.5KG5T	855	DP41-E, DP25B-E
0 to 10,000**	0 to 689	PX01S1-10KG5T	905	not available		DP41-E, DP25B-E*
0 to 20,000**	0 to 1379	PX01S1-20KG5T	905	not available		DP41-E, DP25B-E*
0 to 30,000**	0 to 2068	PX01S1-30KG5T	905	not available		DP41-E, DP25B-E*

Comes with 5-point calibration.

* 4-digit meter, counts in increments of 10.

† See section D for compatible meters.

** 1/4 HP tube fitting

To order absolute pressure, replace "G" in model number with "A" and add \$50.

To order sealed gage units, replace "G" in model number with "S" (no extra charge).

Ordering Examples: **PX01K1-1KG5T**, 1000 psi gage transducer with 0 to 5 V output, twist lock connector and 7/16-20 female pressure connection, \$835. **PT06F-10-6S**, mating connector (not included), \$26.50. **PX01C0-010G5T**, 10 psi gage transducer with 0 to 5 V output, 3 m (10') cable and 1/4 NPT male pressure connection, \$925.

ACCESSORY

MODEL NO.	PRICE	DESCRIPTION
EE-2584	\$230	Reference Book: Process Plant Instrumentation

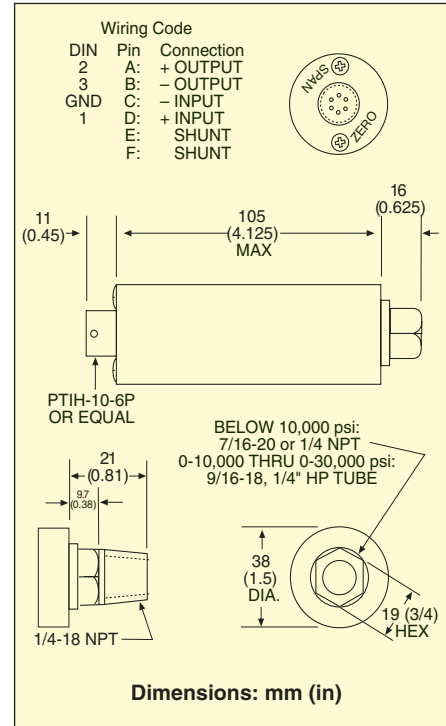
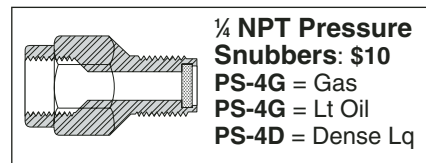
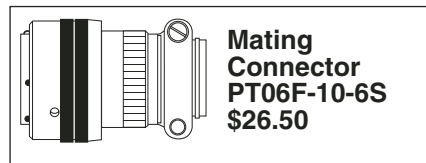


VERY-HIGH-ACCURACY ALL STAINLESS STEEL TRANSDUCER

SPECIFICATIONS

Excitation: 24 to 32 Vdc
Output: 0 to 5 Vdc ± 0.03 Vdc
Linearity: 0.05% FSO
Hysteresis: 0.05% FSO
Repeatability: $\pm 0.05\%$ FSO
Zero Balance: 0 V ± 0.01 Vdc
Agency Approvals: Standard FM Intrinsically Safe IS/I.II.III/1/CDEFG
Sensing Element: 4-active-arm bridge, using thick-film strain gages in a hermetically sealed chamber (except gage units)
Shunt Calibration Value: 80% FS
Operating Temp Range: -46 to 121°C (-50 to 250°F)
Compensated Temp Range: 16 to 71°C (60 to 160°F)
Thermal Effects:
Span: 0.002% of rdg/°F
Zero: 0.001% of FSO/°F
Proof Pressure: 150% of rated pressure
Burst Pressure: 300% of rated pressure

Wetted Parts: 17-4 PH stainless steel
Pressure Port:
Ranges <10,000 psi:
Style "K": 1/16-20 UNF female
Style "C": 1/4 NPT male
Ranges $\geq 10,000$ psi:
Style "S": 3/16-18, 1/4" HP tube
Also Available: 1/4-18 NPT female or 3/16-20 UNF male
Electrical Connection:
Style "1" = PTIH-10-6P or equal
Style "0" = 3 m (10') 6-cond. cable
Mating Connector: PT06F-10-6S (not included)
Weight: 388 g (13.7 oz)



CUSTOM CONFIGURATIONS

"C" or "D" models only

SERIES PX01	PRESSURE PORT [1]	ELECTRICAL CONNECTION [2]	RANGE (psi) [3]	UNITS [4]	OUTPUT [5]	OPTIONS [6]
	Models <10,000 psi		002*	S,G,A	V = mV/V output	OL = Overload stops
	C = 1/4-18 NPT-M +\$20		005*	S,G,A	base price	+\$65
	D = 1/4-18 NPT-F, no charge		010	S,G,A	5T = 0 to 5 Vdc output	OX = Cleaned for oxygen use
	J = 3/16-20 UNF-M +\$20		015	S,G,A	+\$155 all ranges	+\$75 plus
	K = 3/16-20 UNF-F, no charge		020	S,G,A	10T = 0 to 10 Vdc output	2 weeks
	Models $\geq 10,000$ psi		025	S,G,A	+\$155 all ranges	
	S = 1/4 HP tube fitting		050	S,G,A	I = 4 to 20 mA output	
	no charge		075	S,G,A	+\$175 all ranges	
			100	S,G,A		
	0 = 3 m (10') cable (std)		150	S,G,A		
	+ \$6.50/ft over 3 m (10')		200	S,G,A		
	1 = PTIH-10-6P connector		250	S,G,A		
	(or equal, no charge).		300	S,G,A		
	Mating connector		500	S,G,A		
	(not included), order		750	S,G,A		
	PT06F-10-6S		1K	S,G,A		
	\$26.50		1.5K	S,G,A		
	5 = Lightning-protected		2K	S,G,A		
	amplifier box (no charge)		3K	S,G,A		
	(4 to 20 mA models only)		3.5K	S,G,A		
	6 = DIN connector		5K	S,G,A		
			7.5K	S,G,A		
			10K [†]	S,G,A		
			20K [†]	S,G,A		
			30K [†]	S,G,A		
	* 2 and 5 psi ranges available only on amplified output.					
	[†] Supplied with 1/4 HP tube fitting.					
	Metric ranges available – consult Engineering.					
To order a custom configuration: 1. Select a pressure port 2. Select electrical connection 3. Select a pressure range 4. Select pressure units 5. Select output 6. Select options and agency approvals						See page B-12 for additional options, including extended compensated temperatures.

Ordering Examples: PX01C1-100GI, 100 psi gage pressure transducer with 1/4-18 NPT male fitting, PTIH-10-6P, connector and 4 to 20mA output, \$680 + 175 + 19 = **\$874.** PT06F-10-6S, mating connector (not included), **\$26.50.** PX01K0-1KS5Z, 1000 sealed gage pressure transducer with 3/16-20 UNF female fitting, 3 m (10') cable, isolated 0 to 5 Vdc output, \$680 + 190 = **\$870.** PX01J1-015A5T, 15 psi absolute pressure transducer with 3/16-20 UNF male fitting, PTIH-10-6P, connector, 0 to 5 Vdc output, \$680 + 155 + 19 = **\$854.** PT06F-10-6S, mating connector (not included), **\$26.50.**