

MINIATURE INDUSTRIAL COMPRESSION LOAD CELL

STANDARD AND METRIC MODELS

LCGD/LCMGD Series Compression

0-25 lb to 0-50,000 lb
0-100 N to 0-200,000 N

Starts at
\$460



Standard

- ✓ 5-Point NIST Traceable Calibration
- ✓ Stainless Steel
- ✓ High Accuracy
- ✓ Low Profile
- ✓ Miniature Size

The LCGD/LCMGD Series miniature low-profile load cells are compression load cells with excellent long-term stability. An all stainless steel construction ensures reliability in severe industrial environments. These cells are designed to be mounted on a flat surface, and a load button is integral to their basic design.

SPECIFICATIONS

- Excitation:** 10 Vdc
- Output:** 2 mV/V nominal
- 5-Point Calibration:** 0%, 50% 100%, 50%, 0%
- Linearity:** ±0.25% FSO
- Hysteresis:** ±0.20% FSO
- Repeatability:** ±0.10% FSO
- Zero Balance:** ±2% FSO
- Operating Temp Range:** -54 to 121°C (-65 to 250°F)
- Compensated Temp Range:** 16 to 71°C (60 to 160°F)
- Thermal Effects:**
 - Span:** ±0.018% rdg/°C
 - Zero:** ±0.009% FSO/°C

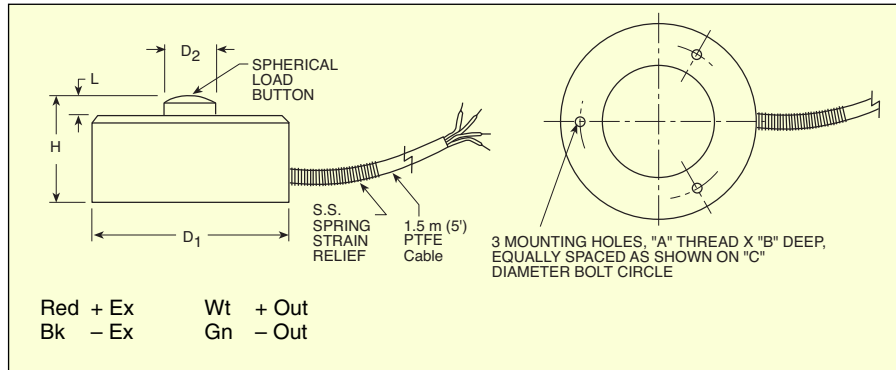


LCGD-100, \$590.



LCGD-2K, \$460.

Shown actual size.



- Safe Overload:** 150% of capacity
- Ultimate Overload:** 300% of capacity
- Bridge Resistance:** 350 Ω minimum
- Deflection:** 0.076 mm (0.003")
- Construction:** Stainless steel
- Electrical Connection:** 1.5 m (5') shielded cable
- Protection Class:** IP65

Recommended Reference Book:
Measure for Measure,
OP-17, \$15.
See Section Y
For Additional Books.

STANDARD Dimensions: mm (in)

| CAPACITY | D1 | D2 | H | L | A | B | C |
|---------------------|--------------|---------------|--------------|---------------|-----------|---------------|----------------|
| 25 to 100 lb | 25 (1.00) | 5.3 (0.21) | 16 (0.62) | 1.3 (0.05) | #4-40 UNC | 4.8 (0.19) | 19 (0.75) |
| 250 to 2000 lb | 32 (1.25) | 8.1 (0.32) | 10 (0.39) | 1.8 (0.07) | #6-32 UNC | 6.4 (0.25) | 25.4 (1.00) |
| 5000 to 10,000 lb | 38 (1.50) | 11 (0.43) | 16 (0.63) | 2.0 (0.08) | #6-32 UNC | 6.4 (0.25) | 31.8 (1.25) |
| 15,000 to 30,000 lb | 51 (2.00) | 15 (0.60) | 25 (1.00) | 3.0 (0.12) | #6-32 UNC | 6.4 (0.25) | 41.3 (1.63) |
| 50,000 lb | 76 (3.00) | 20 (0.78) | 38 (1.50) | 4.6 (0.18) | #6-32 UNC | 6.4 (0.25) | 60.3 (2.38) |

METRIC Dimensions: mm (in)

| CAPACITY (N) | D1 | D2 | H | L | A | B | C |
|-------------------|--------------|---------------|--------------|---------------|----------|----------------|----------------|
| 100 to 500 | 25 (1.00) | 5.3 (0.21) | 16 (0.62) | 1.3 (0.05) | M4 x 0.7 | 4.8 (0.19) | 19.1 (0.75) |
| 1000 to 10,000 | 32 (1.25) | 8.1 (0.32) | 10 (0.39) | 1.8 (0.07) | M4 x 0.7 | 6.4 (0.25) | 25.4 (1.00) |
| 20,000 to 50,000 | 38 (1.50) | 11 (0.43) | 16 (0.63) | 2.0 (0.08) | M4 x 0.7 | 6.4 (0.25) | 31.8 (1.25) |
| 60,000 to 120,000 | 51 (2.00) | 15 (0.60) | 25 (1.00) | 3.0 (0.12) | M4 x 0.7 | 6.4 (0.25) | 41.3 (1.63) |
| 200,000 | 76 (3.00) | 20 (0.78) | 38 (1.50) | 4.6 (0.18) | M4 x 0.7 | 6.35 (0.25) | 60.3 (2.38) |

Shown actual size.



LCMGD-100, \$590.

LCMGD-2K, \$460.

Comes complete with 5-point NIST-traceable calibration and 59 kΩ shunt data.
* See section D for compatible meters.
** 4-digit meter.

Ordering Examples: LCGD-5K, 5000 lb capacity load cell, \$525.

LCGD-25, 25 lb capacity load cell, \$590.

LCMGD-10KN, 10,000 Newton capacity load cell, \$460.

LCMGD-500N, 500 Newton capacity load cell, \$590.

STANDARD MODELS MOST POPULAR MODELS HIGHLIGHTED!

To Order (Specify Model Number)

| CAPACITY | | MODEL NO. | PRICE | COMPATIBLE METERS* |
|----------|---------|-----------|-------|-----------------------|
| lb | N | | | |
| 25 | 111 | LCGD-25 | \$590 | DPiS, DP41-S, DP25B-S |
| 50 | 222 | LCGD-50 | 590 | DPiS, DP41-S, DP25B-S |
| 100 | 445 | LCGD-100 | 590 | DPiS, DP41-S, DP25B-S |
| 250 | 1112 | LCGD-250 | 490 | DPiS, DP41-S, DP25B-S |
| 500 | 2224 | LCGD-500 | 460 | DPiS, DP41-S, DP25B-S |
| 1000 | 4448 | LCGD-1K | 460 | DPiS, DP41-S, DP25B-S |
| 2000 | 8897 | LCGD-2K | 460 | DPiS, DP41-S, DP25B-S |
| 5000 | 22,242 | LCGD-5K | 525 | DPiS, DP41-S, DP25B-S |
| 10,000 | 44,484 | LCGD-10K | 525 | DPiS, DP41-S, DP25B-S |
| 15,000 | 66,726 | LCGD-15K | 625 | DPiS, DP41-S, DP25B-S |
| 20,000 | 88,968 | LCGD-20K | 625 | DPiS, DP41-S, DP25B-S |
| 30,000 | 133,452 | LCGD-30K | 625 | DPiS, DP41-S, DP25B-S |
| 50,000 | 222,420 | LCGD-50K | 695 | DPiS, DP41-S, DP25B-S |

METRIC MODELS

| CAPACITY | | MODEL NO. | PRICE | COMPATIBLE METERS* |
|----------|--------|-------------|-------|------------------------------|
| N | lb | | | |
| 100 | 22.5 | LCMGD-100N | \$590 | iSeries, DP41-S, DP25B-S |
| 200 | 45 | LCMGD-200N | 590 | iSeries, DP41-S, DP25B-S |
| 500 | 112 | LCMGD-500N | 590 | iSeries, DP41-S, DP25B-S |
| 1000 | 225 | LCMGD-1KN | 490 | iSeries, DP41-S, DP25B-S |
| 2000 | 450 | LCMGD-2KN | 460 | iSeries, DP41-S, DP25B-S |
| 5000 | 1124 | LCMGD-5KN | 460 | iSeries, DP41-S, DP25B-S |
| 10,000 | 2248 | LCMGD-10KN | 460 | iSeries**, DP41-S, DP25B-S** |
| 20,000 | 4496 | LCMGD-20KN | 525 | iSeries**, DP41-S, DP25B-S** |
| 50,000 | 11,240 | LCMGD-50KN | 525 | iSeries**, DP41-S, DP25B-S** |
| 60,000 | 13,488 | LCMGD-60KN | 595 | iSeries**, DP41-S, DP25B-S** |
| 80,000 | 17,984 | LCMGD-80KN | 595 | iSeries**, DP41-S, DP25B-S** |
| 120,000 | 26,976 | LCMGD-120KN | 595 | iSeries**, DP41-S, DP25B-S** |
| 200,000 | 44,960 | LCMGD-200KN | 695 | iSeries**, DP41-S, DP25B-S** |

COMPATIBLE METERS

PATENTED

Ω MONOGRAM SERIES

DP25B/DP41-B Starts at

\$245



DP41-B, \$595, shown smaller than actual size.

DP25B-E, \$245, shown smaller than actual size.

- ✓ mV, V, mA, Strain Gage Thermocouple, RTD Inputs
- ✓ Full Process Unit Scaling
- ✓ Built-In Transducer Power

IN STOCK FOR FAST DELIVERY

To Order (Specify Model Number)

| MODEL NO. | PRICE | DESCRIPTION |
|-----------|-------|---|
| DP25B-E | \$245 | 4-digit voltage/current input meter with excitation |
| DP25B-S | 245 | 4-digit mV input meter with excitation |
| DP41-B | 595 | 6-digit 1/8 DIN universal input meter with excitation |

Comes complete with operator's manual.

Ordering Examples: DP25B-E, voltage/current input meter for use with 0 to 5 V, 0 to 10 V, 4 to 20 mA output transducers, \$245.

DP25B-S, mV input meter for use with mV/V output transducers, \$245. DP41-B, universal input meter for use with all standard transducer outputs, \$595.

change color

At Any Setpoint

TOTALLY PROGRAMMABLE COLOR DISPLAYS

