

BOLT SENSORS WITH MOUNTING WASHERS

LC900 Series

Compression

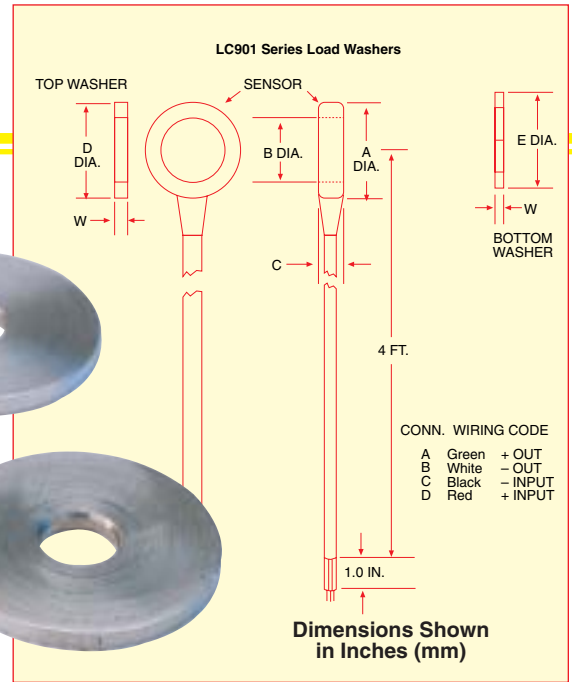
0-2,000 lb to 0-100,000 lb

0-9,000 N to 0-450,000 N

1 Newton = 0.2248 lb
1 daNewton = 10 Newtons
1 lb = 454 g
1 t = 1000 kg = 2204 lb

LC901
\$290
Model Shown

Model LC901-¼-5K
Shown Larger Than
Actual Size



OMEGA's LC900 Series bolt force sensor is a compression load cell designed to measure the clamping force of a bolt. With excellent long term stability and all stainless steel construction, the LC900 Series delivers high reliability in severe industrial environments. This unit is designed to operate by mounting on a flat surface between two mounting washers (included).

SPECIFICATIONS

Excitation: 5 Vdc (10 V max)

Output: 2 mV/V nominal

Accuracy: ±3.5% FSO Linearity, Hysteresis and Repeatability Combined

Zero Balance: ±2% FSO

Operating Temp Range: -54 to 93°C (-65 to 200°F)

Compensated Temp Range: 16 to 71°C (60 to 160°F)

Thermal Effects:

Zero: ±0.01% FSO/°F

Span: ±0.02% of Rdg/°F

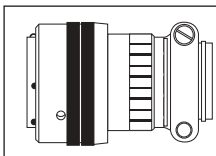
Safe Overload: 130% of Capacity

Ultimate Overload: 150% of Capacity

Bridge Resistance: 120 Ω Nominal

Construction: Stainless Steel

Electrical Connection: 4 ft (1.2 m) PVC Insulated Shielded Cable



Mating Connector
PT01F10-6P,
\$24.50

Dimensions Shown in Inches (mm)

SIZE	RANGE	BOLT SENSOR			WASHERS		
		A	B	C	D	E	W
¼	2000 lb	1.000 (25.4)	0.266 (6.76)	0.187 (4.75)	0.750 (19.1)	1.000 (25.4)	0.062 (1.57)
¼	5,000 lb	1.000 (25.4)	0.266 (6.76)	0.187 (4.75)	0.750 (19.1)	1.000 (25.4)	0.62 (1.57)
⅜	10,000 lb	0.75 (19.1)	0.396 (10.1)	0.187 (4.75)	0.656 (16.7)	0.750 (19.1)	0.062 (1.57)
½	30,000 lb	1.000 (25.4)	0.517 (13.1)	0.250 (6.35)	0.844 (21.4)	1.000 (25.4)	0.078 (1.98)
⅝	50,000 lb	1.125 (28.6)	0.644 (16.4)	0.250 (6.35)	0.968 (24.6)	1.125 (28.6)	0.078 (1.98)
¾	65,000 lb	1.500 (38.1)	0.770 (19.6)	0.375 (9.53)	1.218 (30.9)	1.500 (38.1)	0.093 (2.36)
1½	100,000 lb	2.625 (66.7)	1.533 (38.9)	0.875 (22.2)	2.500 (63.5)	2.625 (66.7)	0.125 (3.18)

MOST POPULAR MODELS HIGHLIGHTED

To Order (Specify Model Number)

BOLT SIZE	CAPACITY (lb)	MODEL NO.	PRICE	COMPATIBLE METERS*
LC901 SERIES - Striped ends on cable				
¼	0-2000	LC901-¼-2K	\$290	DP41-W, DP41-S, DP25-S
¼	0-5000	LC901-¼-5K	290	DP41-W, DP41-S, DP25-S
⅜	0-10,000	LC901-⅜-10K	290	DP41-W, DP41-S, DP25-S
½	0-30,000	LC901-½-30K	310	DP41-W, DP41-S, DP25-S
⅝	0-50,000	LC901-⅝-50K	340	DP41-W, DP41-S, DP25-S
¾	0-65,000	LC901-¾-65K	390	DP41-W, DP41-S, DP25-S
1½	0-100,000	LC901-1.5-100K	425	DP41-W, DP41-S, DP25-S
LC911 SERIES - with PT06A10-6S Connector installed on Cable				
½	0-30,000	LC911-½-30K	335	DP41-W, DP41-S, DP25-S
⅝	0-50,000	LC911-⅝-50K	365	DP41-W, DP41-S, DP25-S
¾	0-65,000	LC911-¾-65K	415	DP41-W, DP41-S, DP25-S

Metric Ranges Available - Consult Engineering

*See Section D For Compatible Meters

Ordering Examples:

1.) LC901-⅜-10K is a 10,000 lb capacity bolt sensor for a ⅜ dia. bolt, with stripped ends on the leads, \$290

2.) LC911-½-30K is a 30,000 lb capacity bolt sensor for a ½ inch dia. bolt with a connector installed on the cable, \$335. Mating connector (not included) PT01F10-6P, \$24.50