

HIGH-ACCURACY STAINLESS STEEL CANTILEVER BEAMS

STANDARD AND METRIC MODELS

LC501/LCM501 Series
LC511/LCM511 Series
Tension/Compression
0-100 lb to 0-100,000 lb-
Standard Models
0-25 kgf to 0-10,000 kgf-
Metric Models

STANDARD
 LC501-20K, \$695, shown
 smaller than actual size.

METRIC
 LCM501-10K, \$695 shown
 smaller than actual size.

Starts at
\$340

**IP65
 Protection
 Level**

TWA5-750 self adjusting weigh
 module, \$560, shown smaller than
 actual size. See page F-76.



- ✓ FM Approved
- ✓ Intrinsically Safe Rating
- ✓ All Stainless Steel Construction for Harsh Industrial Applications
- ✓ 0.25% Interchangeability for Multiple Cell Applications
- ✓ 5-Point Calibration Provided

SPECIFICATIONS

Excitation: 10 Vdc, 15 Vdc max

Output: 3 mV/V $\pm 0.25\%$

5-Point Calibrated (in Compression):

0%, 50%, 100%, 50%, 0%

Linearity: $\pm 0.03\%$ FSO

Hysteresis: $\pm 0.02\%$ FSO

Repeatability: $\pm 0.02\%$ FSO

Zero Balance: $\pm 1\%$ FSO

Agency Approvals: FM Intrinsically Safe IS/I.II.III/1/CDEFG

Operating Temp Range:

-34 to 82°C (-30 to 180°F)

Compensated Temp Range:

16 to 71°C (60 to 160°F)

Thermal Effects:

Zero: $\pm 0.001\%$ FSO/°F (0.0018%/°C)

Span: $\pm 0.001\%$ FSO/°F (0.0018%/°C)

Safe Overload: 150% of capacity

Ultimate Overload: 300% of capacity

Input Resistance: 360 Ω minimum

Output Resistance: 350 $\pm 10 \Omega$

FS Deflection: 0.5 mm (0.02") typical

Construction: 17-4 PH stainless steel, >20,000 lb, high-alloy steel

Electrical:

LC501/LCM501: 4.6 m (15')

4 conductor shielded cable

LC511/LCM511: 6-pin DT02H-10-6P or equivalent

Mating Connector: PT06F10-6S

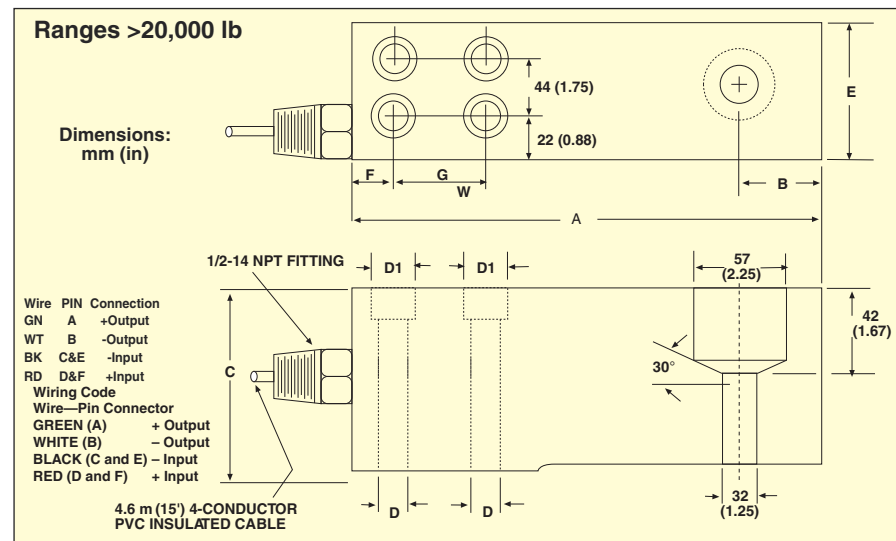
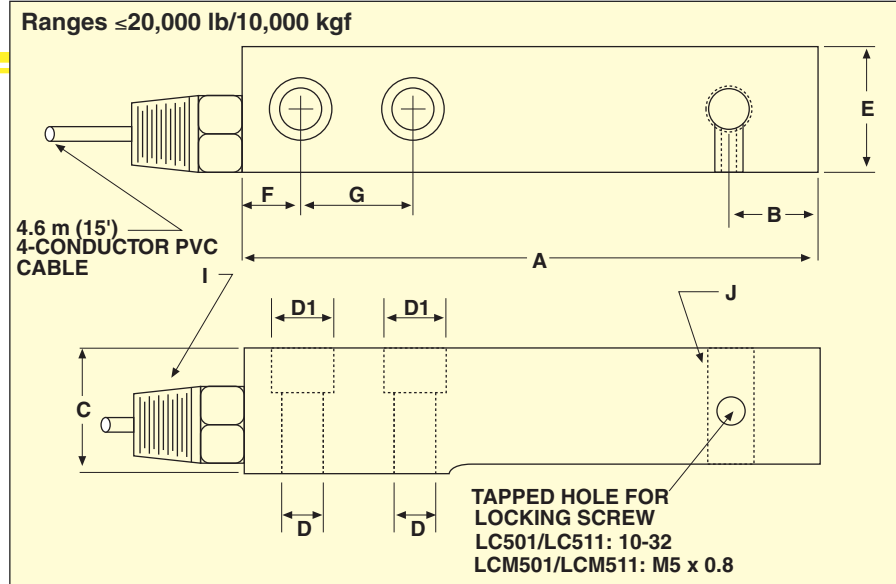
\$26.50 (sold separately)

Accessory Hardware:

TWA/TWAM Series (Page F-76)

Self-Adjusting Weigh Modules

Nickel-Plated Carbon Steel or Stainless Steel



Dimensions: mm (in)

CAPACITY	A	B	C	D	D1	E	F	G	I	J	WEIGHT kg (lb)
STANDARD											
100 to 750 lb	121 (4.75)	19 (0.75)	25 (1.0)	9.9 (0.39)	15 (0.59)	25 (1.0)	13 (0.50)	25 (1.0)	3/8-18 UNC	1/2-20	0.9 (2)
1K to 5K lb	173 (6.75)	25 (1.0)	38 (1.5)	13 (0.53)	20 (0.77)	38 (1.5)	13 (0.50)	38 (1.5)	1/2-14 UNC	1/2-20	1.8 (4)
10K lb	197 (7.75)	25 (1.0)	38 (1.5)	20 (0.77)	n/a	38 (1.5)	19 (0.75)	51 (2.0)	1/2-14 UNC	3/8-16	2.3 (5)
20K lb	241 (9.50)	25 (1.0)	64 (2.5)	20 (0.77)	n/a	51 (2.0)	25 (1.00)	57 (2.25)	1/2-14 UNC	1-12	5 (11)
50K to 100K lb	330 (13.00)	51 (2.0)	102 (4.0)	26 (1.03)	40 (1.56)	90 (3.5)	32 (1.25)	70 (2.75)	1/2-14 UNC	n/a	19 (42)
METRIC											
25 to 250 kgf	121 (4.75)	19 (0.75)	25 (1.0)	9.9 (0.39)	15 (0.59)	25 (1.0)	13 (0.50)	25 (1.0)	3/8-18 UNC	M12 x 1.75	0.9 (2)
500 to 2500 kgf	173 (6.75)	25 (1.0)	38 (1.5)	13 (0.53)	20 (0.77)	38 (1.5)	13 (0.50)	38 (1.5)	1/2-14 UNC	M12 x 1.75	1.8 (4)
5000 kgf	197 (7.75)	25 (1.0)	38 (1.5)	20 (0.77)	n/a	38 (1.5)	19 (0.75)	51 (2.0)	1/2-14 UNC	M20 x 1.5	2.3 (5)
10,000 kgf	241 (9.50)	25 (1.0)	64 (2.5)	20 (0.77)	n/a	51 (2.0)	25 (1.00)	57 (2.25)	1/2-14 UNC	M24 x 2.0	5 (11)

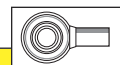
HIGH-ACCURACY STAINLESS STEEL CANTILEVER BEAMS

 MOST POPULAR MODELS HIGHLIGHTED!

To Order (Specify Model Number)

CAPACITY		MODEL NO.		PRICE	COMPATIBLE METERS**	BASE PLATE	PRICE
kgf	lb	CABLE STYLE	CONNECTOR STYLE				
STANDARD MODELS							
45	100	LC501-100	LC511-100	\$340	DP41-B, DP41-S, DP25B-S	BP-10	\$44
91	200	LC501-200	LC511-200	340	DP41-B, DP41-S, DP25B-S		
227	500	LC501-500	LC511-500	340	DP41-B, DP41-S, DP25B-S		
341	750	LC501-750	LC511-750	340	DP41-B, DP41-S, DP25B-S	BP-15	76
455	1000	LC501-1K	LC511-1K	350	DP41-B, DP41-S, DP25B-S		
909	2000	LC501-2K	LC511-2K	350	DP41-B, DP41-S, DP25B-S		
1361	3000	LC501-3K	LC511-3K	350	DP41-B, DP41-S, DP25B-S		
2269	5000	LC501-5K	LC511-5K	350	DP41-B, DP41-S, DP25B-S		
4537	10,000	LC501-10K	LC511-10K	695	DP41-B, DP41-S, DP25B-S	BP-20	80
9074	20,000	LC501-20K	LC511-20K	695	DP41-B, DP41-S, DP25B-S*		
13,612	30,000	LC501-30K	LC511-30K	695	DP41-B, DP41-S, DP25B-S*	-	-
22,686	50,000	LC501-50K	LC511-50K	†	DP41-B, DP41-S, DP25B-S*	-	-
36,298	80,000	LC501-80K	LC511-80K	†	DP41-B, DP41-S, DP25B-S*	-	-
45,372	100,000	LC501-100K	LC511-100K	†	DP41-B, DP41-S, DP25B-S*	-	-
METRIC MODELS							
25	55	LCM501-25	LCM511-25	\$340	DPiS, DP41-S, DP25B-S	MBP-10	\$44
50	110	LCM501-50	LCM511-50	340	DPiS, DP41-S, DP25B-S		
100	220	LCM501-100	LCM511-100	340	DPiS, DP41-S, DP25B-S		
250	551	LCM501-250	LCM511-250	340	DPiS, DP41-S, DP25B-S		
500	1102	LCM501-500	LCM511-500	340	DPiS, DP41-S, DP25B-S	MBP-15	76
1000	2205	LCM501-1K	LCM511-1K	350	DPiS, DP41-S, DP25B-S		
2500	5512	LCM501-2.5K	LCM511-2.5K	350	DPiS, DP41-S, DP25B-S		
5000	11,023	LCM501-5K	LCM511-5K	445	DPiS, DP41-S, DP25B-S		
10,000	22,046	LCM501-10K	LCM511-10K	695	DPiS*, DP41-S, DP25B-S*	MBP-20	76

ACCESSORIES



MODEL NO.	PRICE	DESCRIPTION	LOAD BUTTON	ROD END
STANDARD MODELS				
LBC-012	\$40	Load button for ranges 100 to 5000 lb		
LBC-034	55	Load button for LC501/511-10K		
LBC-101	55	Load button for LC501/511-20K		
REC-012M	45	Rod end for ranges 100 to 5000 lb		
REC-034M	65	Rod end for LC501/511-10K		
METRIC MODELS				
MLBC-M12	\$40	Load button for ranges 25 to 2500 kgf		
MLBC-M20	55	Load button for LCM501-5K, LCM511-5K		
MLBC-M24	55	Load button for LCM501-10K, LCM511-10K		
MREC-M12M	35	Rod end for ranges 25 to 2500 kgf		
MREC-M20M	65	Rod end for LCM501-5K, LCM511-5K		
MREC-M24M	105	Rod end for LCM501-10K, LCM511-10K		
COMMON				
PT06F10-6S	26.50	Mating connector for LC511/LCM511 series load cells		

Comes complete with 5-point NIST-traceable calibration and 59 kΩ shunt data.

* 4-digit meter. ** See section D for compatible meters.

Note: Base plates are nickel-plated carbon steel.

To order stainless steel base plates (see Accessories), specify **BP-10-SS \$70, BP-15-SS \$144, BP-20-SS \$144, MBP-10-SS, \$70, MBP-15-SS, \$144, MBP-20-SS, \$144.**

To order load cells with a twist-lock connector, specify **LC511** (standard) or **LCM511** (metric), no extra charge. **PT06F10-6S**, mating connector (sold separately), **\$26.50.**

Ordering Examples: **LC501-5K**, 5000 lb capacity load cell, **\$350.** **REC-012M**, optional rod end, **\$45.** **BP-15**, optional base plate, **\$76.**

LCM511-5K, 5000 kgf capacity load cell with twist lock connector, **\$445.** **PT06F10-6S**, mating connector, **\$26.50.**

MREC-M20M, optional rod end, **\$55.** **MBP-15**, optional base plate, **\$76.**