

Marine Pressure Transducer QPL Approved to MIL-P-24212C(SH)



Model PX2422
4 to 20 mA Output
DC Loop Powered
15 to 10,000 psi



Shown
Actual
Size

**Custom Ranges
Available!**
**Consult Engineering
for Details.**

- ✓ QPL Approved to MIL-P-24212C(SH) for 2-Wire Applications
- ✓ Pressure Connections per MS16142
- ✓ Non-Interacting Zero and Span Adjustments
- ✓ Mounting Interchangeable with Existing MIL-P-24212C(SH) Approved Products
- ✓ Convenient Calibration Test Points for Easy System Function Verification
- ✓ Modular Design for Easy Field Servicing
- ✓ Rugged Sputtered Thin Film Sensor
- ✓ State-of-the-Art Electronics
- ✓ All Mating Connectors Included

Rugged Design

The Model PX2422 Marine pressure transducer has been designed to meet the stringent requirements of military standard MIL-P-24212C (SH). Applications include naval shipboard use, both surface and sub-surface vessels, as well as general maritime uses.

The Model PX2422 marine transducers are available in pressure ranges from 15 to 10,000 psi. The signal output is 4 to 20 mA current widely used for recording or control purposes.

Direct Replaceability

The Model PX2422 has been designed to be directly interchangeable with other existing pressure transducers designed to MIL-P-24212C(SH).

SPECIFICATIONS

Applications: seawater, steam, oil, freshwater, condensate, other gases

Output: 4 to 20 mA

Power Supply: 28 Vdc with reverse polarity and surge protection

Loop Resistance: 0 to 250 Ω

Zero/Span Adjustments: 10% FSO

Temperature: Compensated 0 to 65°C (32 to 149°F)

Overpressure: 200% of range

Humidity: In accordance with MIL-P-24212C(SH)

Accuracy: $\pm 1.0\%$ of calibrated span inclusive of linearity, hysteresis and temperature effects

Repeatability: $\pm 0.5\%$ of calibrated span

Shock: In accordance with MIL-P-24212C(SH)

Vibration: In accordance with MIL-P-24212C(SH)

EMI: In accordance with MIL-P-24212C(SH)

Weight: 1.4 kg (3.1 lb)

Mating Connector: Cable MS3106F14S-5S, included

OMEGADYNE, INC.: Cage - 09AL6
CEC Pressure Products: Cage - 09384
Transamerica/CEC: Cage - 09384
Bell and Howell/CEC: Cage - 14028

T-Hydraulics: Cage - 8W004
Thurman Hydraulics: Cage - 11051
OMEGA ENGINEERING, INC.: Cage - 29907
Vanzetti Systems, Inc.: Cage - 50973

NEWPORT ELECTRONICS, INC.:
Cage - 32873

1-800-872-3963
1-800-USA-DYNE

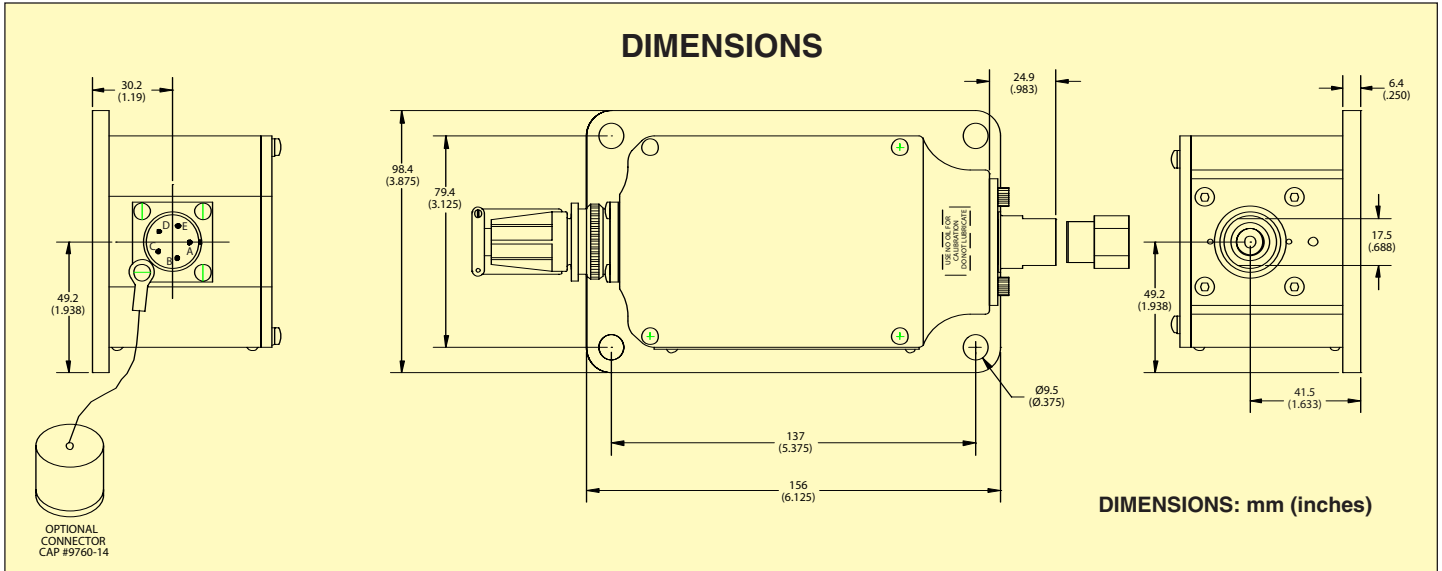
OMEGADYNE
CEC Pressure Products





Marine Pressure Transducer

QPL Approved to MIL-P-24212C(SH)



**CONNECTION OPTIONS
OMEGADYNE ONLY**
SEE DRAWING A019748

To Order (Specify Model Number)

MIL SPEC	PGT	GP	30	G	2
OMEGADYNE	A019748		30	G	

TYPE	
OMEGADYNE	MIL SPEC 1, 2, 1, 1
A019748	PGT
A019748	PCT
A019748	PVT

POWER SUPPLY	
OMEGADYNE	MIL SPEC 1, 2, 1, 5
DEFINED BY PART NO.	2

RANGE		
PRESSURE*	OMEGADYNE	MIL SPEC 1, 2, 1, 3
0-5	5	5
0-15	15	15
0-30	30	30
0-50	50	50
0-60	60	60
0-75	75	75
0-100	100	100
0-150	150	150
0-200	200	200
0-300	300	300
0-500	500	500
0-600	600	600
0-1000	1000	1000
0-1500	1500	1500
0-3000	3000	3000
0-5000	5000	5000
0-6000	6000	6000
0-10000	10000	10000
30"Hg-0-15	VAC-15	0-30/0-15
30"Hg-0-30	VAC-30	0-30/0-30
30"Hg-0-100	VAC-100	0-30/0-100
30"Hg-0-150	VAC-150	0-30/0-150
0-30"Hg	VAC	30

APPLICATION		
DIAPHRAGM MATERIAL	OMEGADYNE	MIL SPEC 1, 2, 1, 4
INCONEL	GP	GP
INCONEL	SW	SW

REFERENCE	
OMEGADYNE	MIL SPEC 1, 2, 1, 4
G	G (GAGE)
A	A (ABS.)
S	S (SEAL REF.)

*Optional pressure ranges available. Consult factory for details.

Ordering Example: PGT-GP-30-G-2, Mil-P-24212C(SH) qualified pressure transducer, type GP, 0 to 30 psi gage pressure range and powered by 28 Vdc. Consult sales for current pricing.

1-800-872-3963
1-800-USA-DYNE

© COPYRIGHT 2004 OMEGADYNE INC. ALL RIGHTS RESERVED

OMEGADYNE
CEC Pressure Products

